



# Parts Manual

## Onan Generator Set for Commercial Mobile

HDKAG (Spec A-K)



## Introduction

This manual applies to the HDKAG Generator Set as listed in the Generator Set Data Table. Parts are arranged in groups of related items. Using the model and specification number from your generator set nameplate, select parts that apply to your set. Right and left sides are determined by facing the engine end (front) of the set.

### Generator Set Data Table

MODEL AND SPECIFICATION	WIRING DIAGRAM NO.		ELECTRICAL DATA				FAN
	AC	DC	VOLTS	HZ	WIRE	PHASE	
8HDKAG/5007	-	-	110/220	50	3	1	Pusher
8HDKAG/11378	612-6743	612-6635-01	Reconnectable	50	12	3	Pusher
8HDKAG/11379	612-6743	612-6635-01	Reconnectable	50	12	3	Suction
8HDKAG/11473	612-6637-06	612-6635-01	110/220	50	4	1	Pusher
10HDKAG/5008	-	-	120/240	60	3	3	Pusher
10HDKAG/11323	612-6743	612-6635-01	120/240	60	4	3	Suction
10HDKAG/11435	612-6637-01	612-6635-01	120/240	60	4	1	Suction
10HDKAG/11509	612-6637-07	612-6635-01	100/200	60	4	1	Pusher
10HDKAG/61730	612-6637	612-6635-01	120/240	60	4	1	Suction
10HDKAG/61731	612-6637	612-6635-01	120/240	60	4	1	Pusher
10HDKAG/61732	612-6743	612-6635-01	120/208	60	4	3	Suction
10HDKAG/61733	612-6743	612-6635-01	120/208	60	4	3	Pusher
10HDKAG/61996	612-6657	612-6635-01	120/240	60	4	1	Suction
10HDKAG/66046	612-6637-01	612-6635-01	120/240	60	4	1	Suction
10HDKAG/5280	-	-	100/200	60	3	1	Pusher

\* - The diagonal line (/) in the model and specification number separates generator set characteristics from the specification number and letter. The specification number denotes customer requested options or deviations from a standard model. The specification letter advances (A to B, B to C, etc.) with major manufacturing changes.

**This Page Intentionally Left Blank.**

# Index

## A

Adapter, Alternator, **60**  
Adapter, Exhaust Flange, **56**  
Adapter, Fuel Pump Reducing, **47**  
Adapter, Generator (Engine End), **13**  
Adapter, Generator (Generator End), **59**  
Adapter, Pressure Switch Pipe, **9**  
Alternator, **45**  
Apparatus, Idle, **20**  
Arm, Rocker, **33 , 34 , 35**  
Armature, Starter, **14**

## B

Ball, Crankshaft, **11**  
Ball, Starter, **14**  
Ball, Valve Seat, **40 , 41 , 42**  
Band, Air Cleaner, **49**  
Bearing, Alternator, **46**  
Bearing, Connecting Rod, **10**  
Bearing, Crankshaft, **11**  
Bearing, Fuel Camshaft, **17 , 18**  
Bearing, Generator, **59**  
Bearing, Governor, **21**  
Bearing, Governor Weight, **17**  
Bearing, Starter, **14**  
Bearing, Water Pump, **43 , 44**  
Belt, Fan, **45**  
Block, Cylinder, **9**  
Block, Generator Brush, **59 , 60**  
Block, Terminal, **60**  
Box, Control (AC), **63**  
Box, Control (DC), **65**  
Box, Remote Mount CB, **66**  
Bracket, Air Cleaner, **49**  
Bracket, Coolant Tank, **52**  
Bracket, Engine/Radiator Mounting, **57**  
Bracket, Lifting, **49**  
Bracket, Radiator Mounting, **57**  
Bracket, Radiator Support, **51**  
Bracket, Rocker Arm, **33 , 34 , 35**

Bracket, Solenoid, **48**  
Breaker Assy, Circuit, **65**  
Breaker, Circuit (AC), **63**  
Breaker, Circuit (DC), **65**  
Breaker, Mount Remote Circuit, **66**  
Breaker/Terminal, Circuit, **65**  
Brush, Alternator, **46**  
Brush, Generator, **59 , 60**  
Bushing, Alternator Insulation, **46**  
Bushing, Connecting Rod, **10**  
Bushing, Control Box Strain Relief, **63**  
Bushing, Governor Gear, **9**  
Bushing, Idle Gear, **12**  
Bushing, Remote Circuit Breaker Reducer, **66**

## C

Cover, Thermostat, **36**  
Cam, Fuel, **17**  
Camshaft, **12**  
Camshaft, Fuel, **17 , 18**  
Cap, Cylinder Block Sealing, **9**  
Cap, Cylinder Head Sealing, **25 , 26**  
Cap, Engine Stop Lever, **20**  
Cap, Engine Stop Lever Sealing, **20**  
Cap, Idle Apparatus, **20**  
Cap, Injection Pump Eye Joint, **22**  
Cap, Radiator, **51**  
Cap, Valve, **33 , 34 , 35**  
Case, Main Bearing, **15 , 16**  
Circlip, Governor External, **21**  
Circlip, Governor Shaft, **17**  
Circlip, Idle Gear, **12**  
Circlip, Piston Pin, **10**  
Circlip, Rocker Arm External, **33**  
Clamp, Hose, **39**  
Clamp, Injection Pipe, **27**  
Clamp, Injection Pump Wire, **23**  
Clamp, Radiator Loop, **51**  
Cleaner, Air, **49**  
Clip, Stop Solenoid Rod End, **48**

# Index

Clutch, Starter, **14**  
Cock, Drain, **9**  
Collar, Alternator, **46**  
Collar, Crankshaft, **11**  
Collar, Fan, **45**  
Collar, Governor Shaft, **17**  
Collar, Idle Gear, **12**  
Collar, Injection Pump Eye Joint, **22**  
Collar, Miniature Bearing, **21**  
Collet, Valve Spring, **33 , 34 , 35**  
Comp. Valve, Breather, **38 , 39**  
Component, Starter, **14**  
Components, Alternator, **46**  
Components, Injection Pump, **23**  
Components, Nozzle Holder (Begin Spec C), **29 , 32**  
Components, Nozzle Holder (Spec A, B), **28**  
Components, Starter, **14**  
Connector, Fuel Filter Inverted Male, **47**  
Control, AC, **62**  
Cord, Glow Plug, **27 , 30 , 31**  
Cord, Starter Stop Solenoid, **14**  
Coupler Assy, Alternator, **45**  
Cover, AC Control, **63**  
Cover, Air Cleaner, **49**  
Cover, Alternator Bearing, **46**  
Cover, Alternator End, **46**  
Cover, Bearing Case, **15**  
Cover, Breather, **38 , 39**  
Cover, Cylinder Head, **37 , 38 , 39**  
Cover, Cylinder Head Oil Fill, **37**  
Cover, DC Control, **65**  
Cover, Endbell, **59**  
Cover, Fork Lever Shaft, **21**  
Cover, Gearcase Oil Fill, **40**  
Cover, Hole, **22**  
Cover, Oil Filter Hole, **40 , 41 , 42**  
Cover, Oil Pump, **40 , 41 , 42**  
Cover, Pump, **20**  
Cover, Regulator, **63**  
Cover, Remote Mount CB Junction Box, **66**

Cover, Starter, **14**  
Cover, Starter Hole, **40**  
Crankshaft, **11**

## D

DC Control, **64**  
Diode, Rectifier, **63**  
Disc, Generator Drive, **59**

## E

Edging, **59**  
Edging, Chassis, **60**  
Elbow, 90 Degree Hose, **47**  
Elbow, Exhaust, **56**  
Element, Air Cleaner, **49**  
Element, Breather, **37**  
Element, Fuel Filter, **47**  
Endbell, **59 , 60**  
Endbell, Generator, **60**  
Engine, Replacement, **9**

## F

Fan, Generator, **59**  
Fan, Radiator, **45**  
Filter, Fuel, **47**  
Filter, Oil, **40**  
Flange, Injection Pump Sleeve, **23**  
Flange, Water, **36**  
Flange, Water Pump, **43 , 44**  
Flywheel, **13**  
Frame, Alternator Drive End, **46**  
Frame, Alternator End, **46**  
Frame, Starter End, **14**

## G

Gasket, **20 , 38 , 39**  
Gasket, Air Bleeder Screw, **27 , 30 , 31**  
Gasket, Bearing Case, **15**

# Index

Gasket, Bearing Case Cover, **15**  
Gasket, Cylinder Block Plug, **9**  
Gasket, Cylinder Head, **25 , 26**  
Gasket, Cylinder Head Cap Nut, **37**  
Gasket, Cylinder Head Cover, **37 , 38 , 39**  
Gasket, Delivery Valve, **23**  
Gasket, Exhaust Manifold, **56**  
Gasket, Fork Lever Shaft Cover, **21**  
Gasket, Fuel Pump, **22**  
Gasket, Gearcase, **40 , 41 , 42**  
Gasket, Injection Pump, **23**  
Gasket, Injection Pump Eye Joint, **22 , 24**  
Gasket, Inlet Manifold, **55**  
Gasket, Nozzle Holder, **27**  
Gasket, Oil Pan, **53**  
Gasket, Pump Cover, **20**  
Gasket, Speed Control Plate, **19**  
Gasket, Starter Hole Cover, **40**  
Gasket, Thermostat, **36**  
Gasket, Water Flange, **36**  
Gasket, Water Pump, **43 , 44**  
Gauge, Coolant Temperature, **69**  
Gauge, Oil Pressure, **69**  
Gauge, Remote Oil Pressure , **73**  
Gauge, Remote Water Temperature (Remote Panel), **73**  
Gear Assy, Idle, **12**  
Gear, Starter, **14**  
Gear, Cam, **12**  
Gear, Crankshaft, **11**  
Gear, Governor, **17**  
Gear, Injection Pump, **17 , 18**  
Gear, Oil Pump Drive, **11**  
Gear, Ring, **13**  
Gearcase, **40 , 41 , 42**  
Generator, **58**  
Generator Spec K, **60**  
Governor, **21**  
Grommet, Saddle, **63**  
Guard, Belt, **51**  
Guard, Control (AC), **63**

Guard, Fan, **60**  
Guard, Generator Fan, **59**  
Guide, Valve, **25 , 26**

## H

Harness, AC, **63**  
Harness, Adapter, **68**  
Harness, Control Box Extension, **67**  
Harness, Customer Interface Pigtail, **67**  
Harness, DC, **65**  
Harness, Engine, **65**  
Harness, Remote, **68**  
Harness, Remote 6", **68**  
Harness, Remote Panel, **69**  
Harness, Remote Panel (Gauges), **73**  
Harness, Remote Panel (Switch Only), **70**  
Harness, Remote Panel (Switch/Hourmeter), **71**  
Harness, Remote Panel (Switch/Voltmeter), **72**  
Harness, Remote Panel Extension, **67**  
Harnesses, **67**  
Head, Cylinder, **25 , 26**  
Holder Assy, Nozzle, **27 , 30 , 31**  
Holder, Alternator Brush, **46**  
Holder, Delivery Valve, **23**  
Holder, Governor Gear, **17**  
Holder, Nozzle, **27 , 30 , 31**  
Holder, Starter Brush, **14**  
Hook, Engine, **25 , 26**  
Hose, Air Cleaner, **49**  
Hose, Oil Drain, **53 , 54**  
Hose, Overflow, **51**  
Hose, Radiator Elbow, **51**  
Hose, Upper Radiator, **51**  
Housing Assy, Starter, **14**  
Hub, Drive, **59**

## I

Impeller, Water Pump, **43 , 44**  
Indicator, Oil Level, **9**

# Index

Insulator, **65**  
Isolator, Cooling System Vibration, **51**  
Isolator, Drip Pan Vibration, **57**  
Isolator, Vibration, **65**

## J

Joint, Breather Pipe, **37**  
Joint, Injection Pump Eye, **22**  
Joint, Oil Filter Pipe, **40 , 41 , 42**  
Joint, Stop Solenoid Ball, **48**

## K

Key, Camshaft, **12**  
Key, Crankshaft, **11**  
Key, Fuel Camshaft Woodruff, **17 , 18**  
Kit, Engine Gasket, **74**  
Kit, Overflow Recovery Tank, **52**  
Kit, Remote Mount CB Box, **66**  
Kit, Remote Panel (Gauges), **73**  
Kit, Remote Panel (Switch Only), **70**  
Kit, Remote Panel (Switch/Hourmeter), **71**  
Kit, Switch/Voltmeter, **72**

## L

Labels, **74**  
Lever Assy, Governor, **19**  
Lever, Engine Stop, **19**  
Lever, Fork, **21**  
Lever, Governor, **20**  
Lever, Speed Control, **19**  
Lever, Thrust, **21**  
Line, Fuel Filter, **47**  
Line, Fuel Pump, **47**  
Link, Solenoid, **48**

## M

Manifold, Exhaust, **56**  
Manifold, Intake, **55**  
Meter, Gauge Panel Voltage, **73**

Meter, Hour (Remote Panel), **71**  
Meter, Remote Gauge Panel Hour , **73**  
Meter, Remote Switch Voltage, **72**  
Meter, Time Totalizing, **69**  
Muffler, **56**

## N

Nipple, Oil Pressure Close, **9**

## O

O' Ring, **38 , 39**  
O'Ring, Crankshaft Collar, **11**  
O'Ring, Cylinder Block Pipe Pin, **9**  
O'Ring, Cylinder Head Oil Fill Cap, **37**  
O'Ring, Delivery Valve Holder, **23**  
O'Ring, Dust Ejector Valve, **49**  
O'Ring, Gearcase Cover, **40**  
O'Ring, Gearcase Oil Fill Cover, **40**  
O'Ring, Generator Rotor, **59 , 60**  
O'Ring, Injection Pump, **23**  
O'Ring, Oil Filter Hole Cover, **40 , 41 , 42**  
O'Ring, Oil Pickup Tube, **53 , 54**  
O'Ring, Speed Control, **19**  
O'Ring, Starter, **14**

## P

Pan, Drip, **57**  
Pan, Oil, **53 , 54**  
Panel, Printed, **70 , 71 , 72 , 73**  
Panel, Remote (Gauge), **73**  
Panel, Remote (Single Switch), **70**  
Panel, Remote (Switch/Hourmeter), **71**  
Panel, Remote (Switch/Voltmeter), **72**  
Panel, Remote Gauge, **69**  
PCB, Engine Monitor, **65**  
Piece, Component Nozzle, **28**  
Piece, Component Nozzle Holder Distance, **28**  
Piece, Spec C Nozzle, **29 , 32**  
Piece, Spec C Nozzle Holder Distance, **29 , 32**



# Index

Pin, Cylinder Block Pipe, **9**  
Pin, Cylinder Block Start Spring, **9**  
Pin, Cylinder Block Straight, **9**  
Pin, Flywheel Dowel, **13**  
Pin, Injection Pump Joint, **23**  
Pin, Piston, **10**  
Pin, Speed Control Spring, **19**  
Pin, Tappet Guide, **23**  
Pipe, Breather, **37**  
Pipe, Injection, **27 , 30 , 31**  
Pipe, Oil Pressure Cross, **9**  
Pipe, Overflow, **27 , 30 , 31**  
Pipe, Starter Drain, **14**  
Pipe, Water Flange Return, **36**  
Pipe, Water Pump, **43**  
Pipe, Water Pump Return, **43 , 44**  
Piston, **10**  
Plate Assy, Control, **19**  
Plate, Breather Element, **37**  
Plate, CB Cover, **63**  
Plate, Injection Pump, **23**  
Plate, Retainer, **46**  
Plate, Speed Control, **19**  
Plug, Cylinder Block, **9**  
Plug, Cylinder Head, **25 , 26**  
Plug, Drain, **47**  
Plug, Gearcase, **40 , 41 , 42**  
Plug, Glow, **27 , 30 , 31**  
Plug, Oil Filler, **38 , 39**  
Plunger, Injection Pump, **23**  
Pulley, Alternator, **46**  
Pulley, Fan, **45**  
Pulley, Fan Drive, **45**  
Pump, Electric Fuel, **47**  
Pump, Fuel, **47**  
Pump, Injection, **22 , 23 , 24**  
Pump, Water, **43 , 44**

## R

Rack, Injection Pump Control, **23**

Radiator, **51**  
Recitifier, DC Control, **65**  
Rectifier, Alternator, **46**  
Rectifier, Power, **65**  
Regulator, Alternator, **46**  
Regulator, Automatic Voltage, **63**  
Relay, Start Solenoid, **65**  
Resonator, Exhaust, **56**  
Retainer, Spring, **34 , 35**  
Retainer, Starter, **14**  
Retainer, Valve Spring, **33**  
Ring, Collector, **59**  
Rod Assy, Connecting, **10**  
Rod, Nozzle Holder Push, **28**  
Rod, Push, **12**  
Rod, Spec C Nozzle Holder Push, **29 , 32**  
Roller, Starter, **14**  
Rotor Assy, Oil Pump, **40 , 41 , 42**  
Rotor, Alternator, **46**  
Rotor, Generator, **59**

## S

Seal, Bearing Case Oil, **15**  
Seal, Engine Stop Lever Oil, **19**  
Seal, Gearcase Cover Oil, **40 , 41 , 42**  
Seal, Valve Stem, **33 , 34 , 35**  
Seal, Water Pump Mechanical, **43 , 44**  
Seat, Injection Pump Spring, **23**  
Seat, Valve, **40 , 41 , 42**  
Sender, Oil Pressure, **9**  
Sender, Water Temperature, **36**  
Set, Piston Ring, **10**  
Shaft Assy, Rocker Arm, **33**  
Shaft, Fork Lever, **21**  
Shaft, Governor, **17**  
Shaft, Governor Weight, **17**  
Shaft, Idle Gear, **12**  
Shaft, Rocker Arm, **35**  
Shaft, Stop Lever, **19**  
Shield, Breather, **38**

# Index

Shield, Breather Oil, **37**  
Shim, Component Injection Pump, **23**  
Shim, Injection Pump, **22 , 24**  
Shroud, Fan, **51**  
Sleeve, Crankshaft, **11**  
Sleeve, Governor, **17**  
Sleeve, Injection Pump Control, **23**  
Solenoid, Stop, **48**  
Spacer, Fan, **59**  
Spring, Alternator Brush, **46**  
Spring, Delivery Valve, **23**  
Spring, Generator Brush, **59 , 60**  
Spring, Governor, **21**  
Spring, Governor Start, **21**  
Spring, Injection Pump Plunger, **23**  
Spring, Nozzle, **28**  
Spring, Rocker Arm, **33 , 34 , 35**  
Spring, Spec C Nozzle, **29 , 32**  
Spring, Starter, **14**  
Spring, Starter Brush, **14**  
Spring, Stop Lever Shaft Return, **19**  
Spring, Valve, **33 , 34 , 35**  
Spring, Valve Seat, **40 , 41 , 42**  
Standoff, Cover, **63**  
Starter, **13**  
Stator, Generator, **59**  
Stay, Alternator, **45**  
Stopper, Camshaft, **12**  
Stopper, Fuel Camshaft, **17**  
Strap, Bond, **57**  
Support, Radiator Mounting, **51**  
Switch, Hourmeter Panel, **71**  
Switch, Pressure, **9**

Switch, Remote Gauge Panel, **73**  
Switch, Remote Panel, **70**  
Switch, Rocker, **69**  
Switch, Start/Stop, **65**  
Switch, Starter Magnetic, **14**  
Switch, Voltmeter Panel, **72**  
System, Cooling, **50**

## T

Tank, Coolant Recovery, **52**  
Tank, Radiator Recovery, **52**  
Tappet, Camshaft, **12**  
Tappet, Injection Pump, **23**  
Thermostat, **36**  
Tub, Breather, **39**  
Tube, Oil Pickup, **53**  
Tube, Radiator, **51**

## V

Valve, **34 , 35**  
Valve, Delivery, **23**  
Valve, Dust Ejector, **49**  
Valve, Oil Drain Shutoff, **53 , 54**  
Valves, **33**  
Voltmeter, **69**

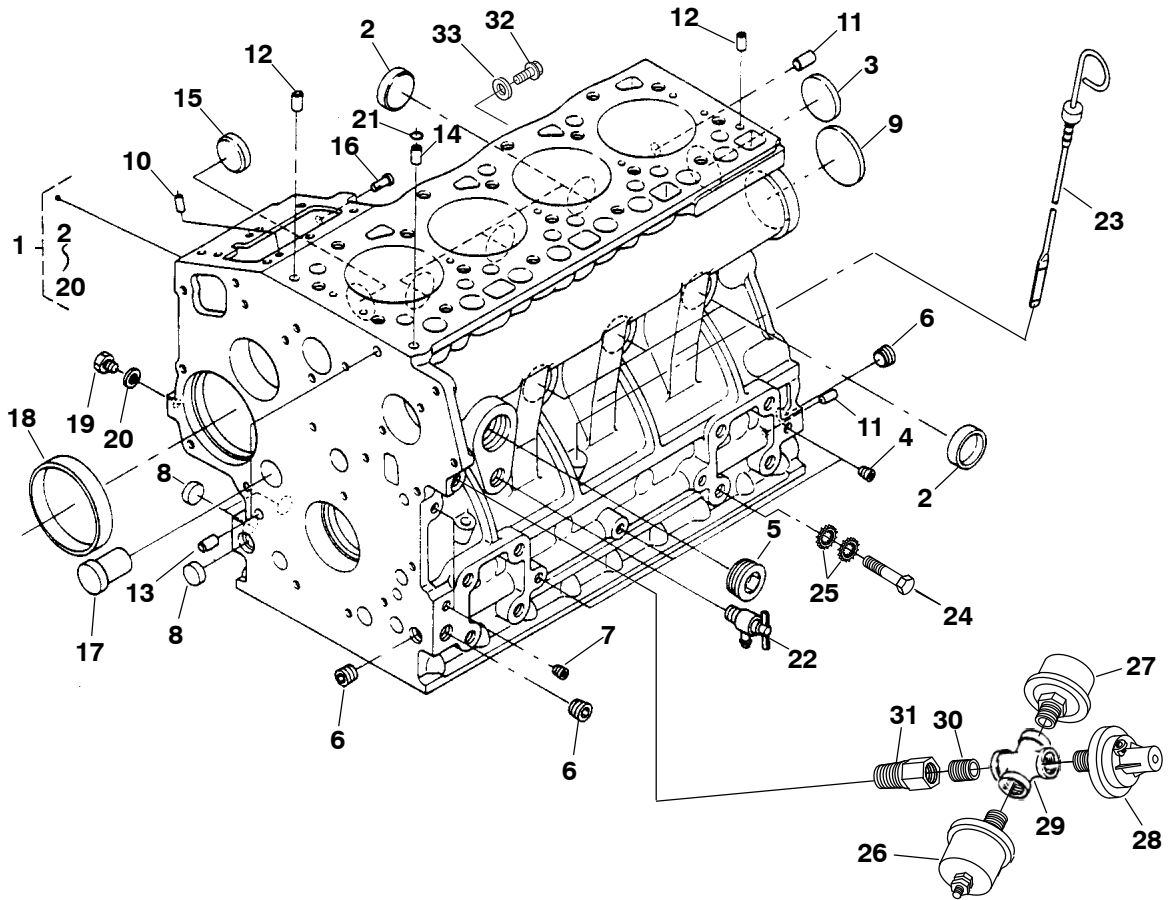
## W

Weight, Governor, **17**

## Y

Yoke, Starter, **14**

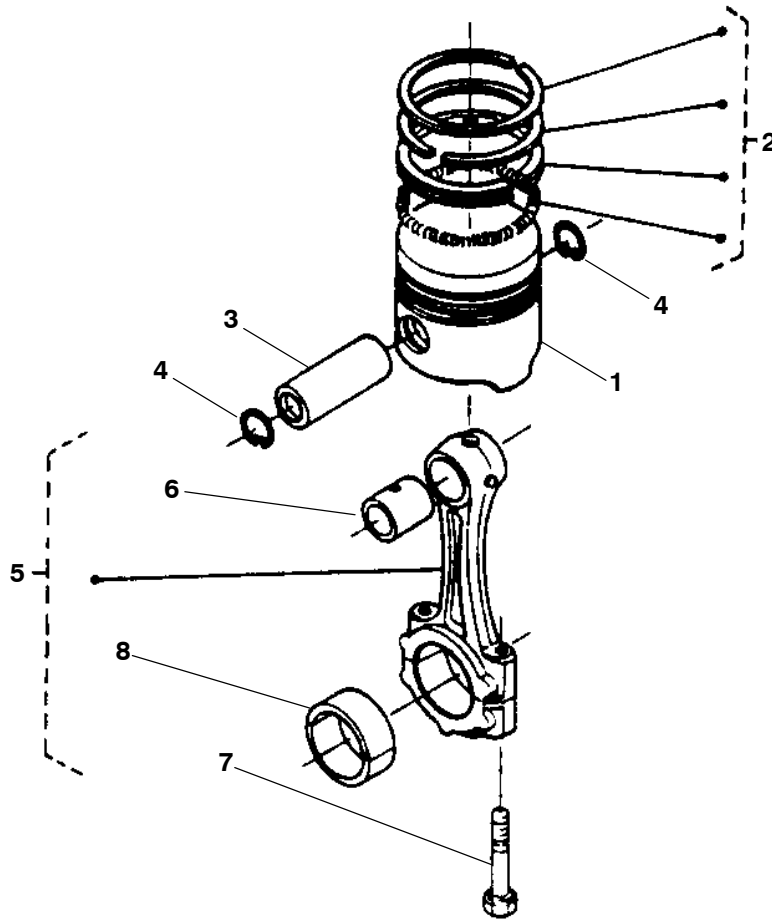
# Cylinder Block



REF NO.	PART NO.	QTY USED	PART DESCRIPTION	REF NO.	PART NO.	QTY USED	PART DESCRIPTION
			Engine, Replacement	13	185-2115	2	*Pin, Pipe
	100-3217	1	Spec A, B	14	185-6469	1	*Pin, Pipe
	100-3384-S0	1	Spec C	15	185-7212	1	*Plug
	100-3708	1	Spec D-E	16	181-9093	1	*Pin, Start Spring
	100-3960	1	Spec F	17	185-6471	1	*Plug
	100-4127	1	Spec G	18	185-6472	1	*Bushing, Governor Gear
	A044B679	1	Begin Spec H	19	185-5845	1	*Plug
1	168-0225	1	Kit, Engine Gasket	20	185-2338	1	*Gasket
			Block, Cylinder (Includes Parts Marked *)	21	185-2095	1	O'Ring (Spec C)
	185-6466	1	Spec A, B	22	185-5490	1	Cock, Drain
	185-7245	1	Spec C-E	23	123-2019-01	1	Indicator, Oil Lever
	110-3962	1	Spec F	24	815-0586	1	Screw, Hex Head Cap (M10 x 1.25 x 18mm)
2	185-5484	6	*Cap, Sealing	25	856-0010	2	Washer, EIT Lock (3/8")
3	185-2412	1	*Cap, Sealing	26	193-0244	1	Sender, Oil Pressure (E1)
4	185-2188	4	*Plug	27	309-0641-05	1	Switch, Pressure (S1)
5			*Plug	28	309-0159	1	Switch, Pressure (S6)
	185-6467	1	Spec A, B	29	505-0763	1	Pipe, Cross
	185-6856	1	Begin Spec F-G	30	505-0098	1	Nipple, Close
6	185-6468	3	*Plug	31	502-0917	1	Adapter, Pipe
7	185-2233	2	*Plug	32	185-2572	1	Bolt, Flange
8	185-6121	3	*Plug	33	185-2284	1	Gasket
9	185-6040	1	*Plug				
10	185-5486	2	*Pin, Straight				
11	185-5487	2	*Pin, Straight				
12	185-5843	2	*Pin, Straight				

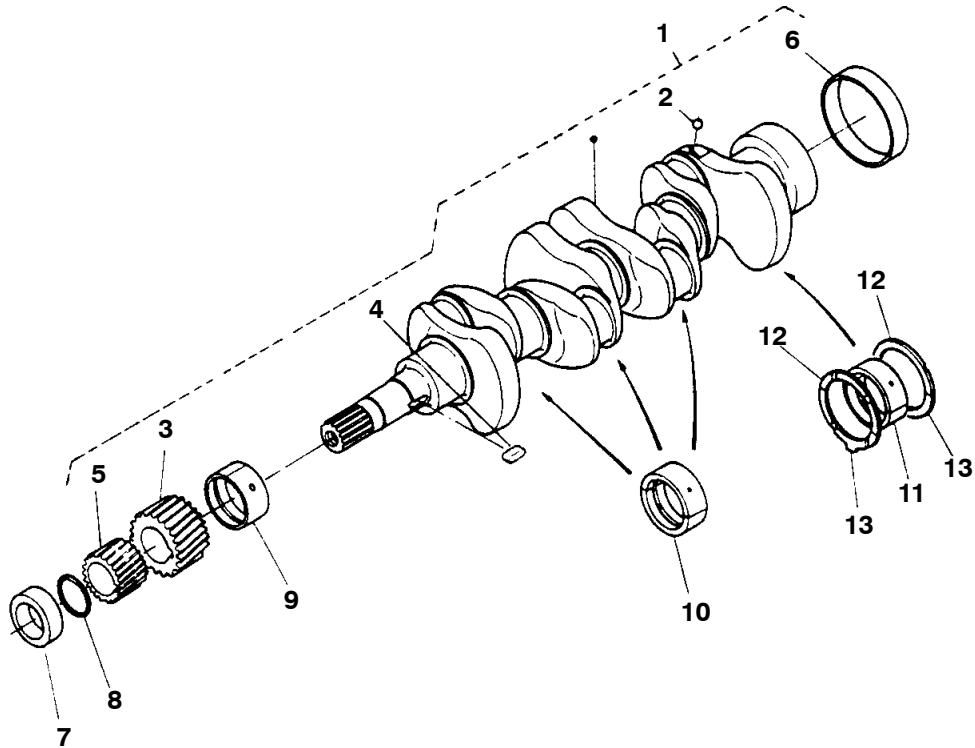
\* - Parts Included in Cylinder Block.

# Piston



REF NO.	PART NO.	QTY USED	PART DESCRIPTION	REF NO.	PART NO.	QTY USED	PART DESCRIPTION
1			Piston	5			Rod Assy, Connecting (Includes Bushing, Bolt and Bearing)
	185-6745	4	Spec A-F Standard		185-6533	4	Spec A-E
	185-6746	4	.5mm, Oversize		114-0418	4	.Spec F
	112-0319	4	Begin Spec G Standard		114-0430		.Begin Spec G
	112-0320	4	.5mm, Oversize	6			Bushing, Connecting Rod
2			Set, Piston Ring		185-6534	4	Spec A-E
	185-6529	4	Spec A-F Standard		508-1253	4	Spec F
	185-6530	4	.5mm, Oversize		114-0450	4	.Begin Spec G
	181-9134	4	Begin Spec G Standard	7			Bolt, Connecting Rod
	181-9135	4	.5mm, Oversize		185-6535	8	Spec A-E
3	185-6531	4	Pin, Piston		114-0419	8	Begin Spec F-G
4	185-6532	8	Circlip, Piston Pin	8			Bearing, Connecting Rod
					185-6536	4	Standard
					185-6537	4	.2mm Undersize
					185-6538	4	.4mm Undersize

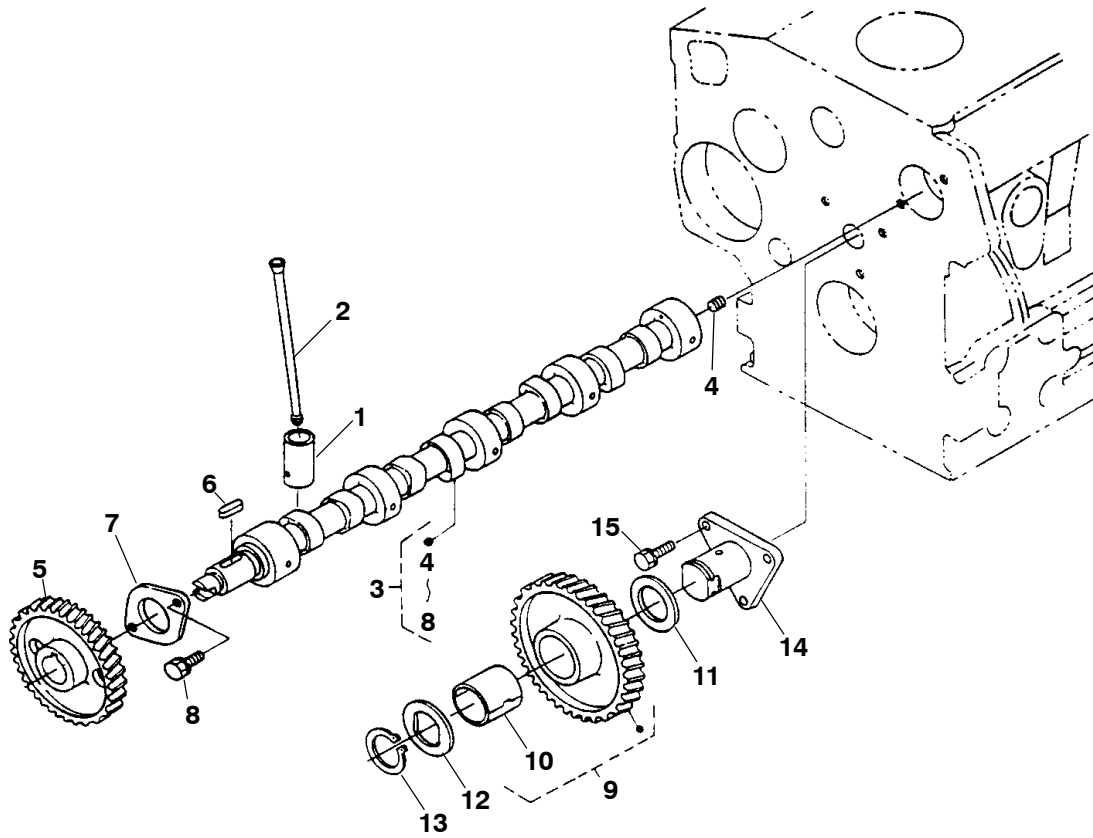
# Crankshaft



REF NO.	PART NO.	QTY USED	PART DESCRIPTION	REF NO.	PART NO.	QTY USED	PART DESCRIPTION
1			Crankshaft (Includes Parts Marked *)	11			Bearing, Crankshaft Spec A-F
	185-7249	1	Spec A-F		185-6552	1	Standard
	185-7312	1	Spec G-H		185-6553	1	.2mm, Undersize
	A048A835	1	Spec J		185-6554	1	.4mm, Undersize
2	185-5924	4	*Ball (Spec A-F)				Begin Spec G
3	185-6540	1	*Gear, Crankshaft	104-2121	1		Standard
4	185-6541	1	*Key	104-2157	1		.2mm, Undersize
5	185-6542	1	*Gear, Oil Pump Drive	104-2158	1		.4mm, Undersize
6	185-6543	1	*Sleeve, Crankshaft	12			Washer, Thrust
7	185-6544	1	Collar, Crankshaft		185-5938	2	Standard
8	185-7429	1	O'Ring		185-5939	2	.2mm, Oversize
9			Bearing, Crankshaft		185-6556	2	.4mm, Oversize
	185-6546	1	Standard	13			Washer, Thrust
	185-6547	1	.2mm, Undersize		185-5941	2	Standard
	185-6548	1	.4mm, Undersize		185-5942	2	.2mm, Oversize
10			Bearing, Crankshaft		185-5943	2	.4mm, Oversize
	185-6549	3	Standard				
	185-6550	3	.2mm, Undersize				
	185-6551	3	.4mm, Undersize				

\* - Parts Included in Crankshaft Assy.

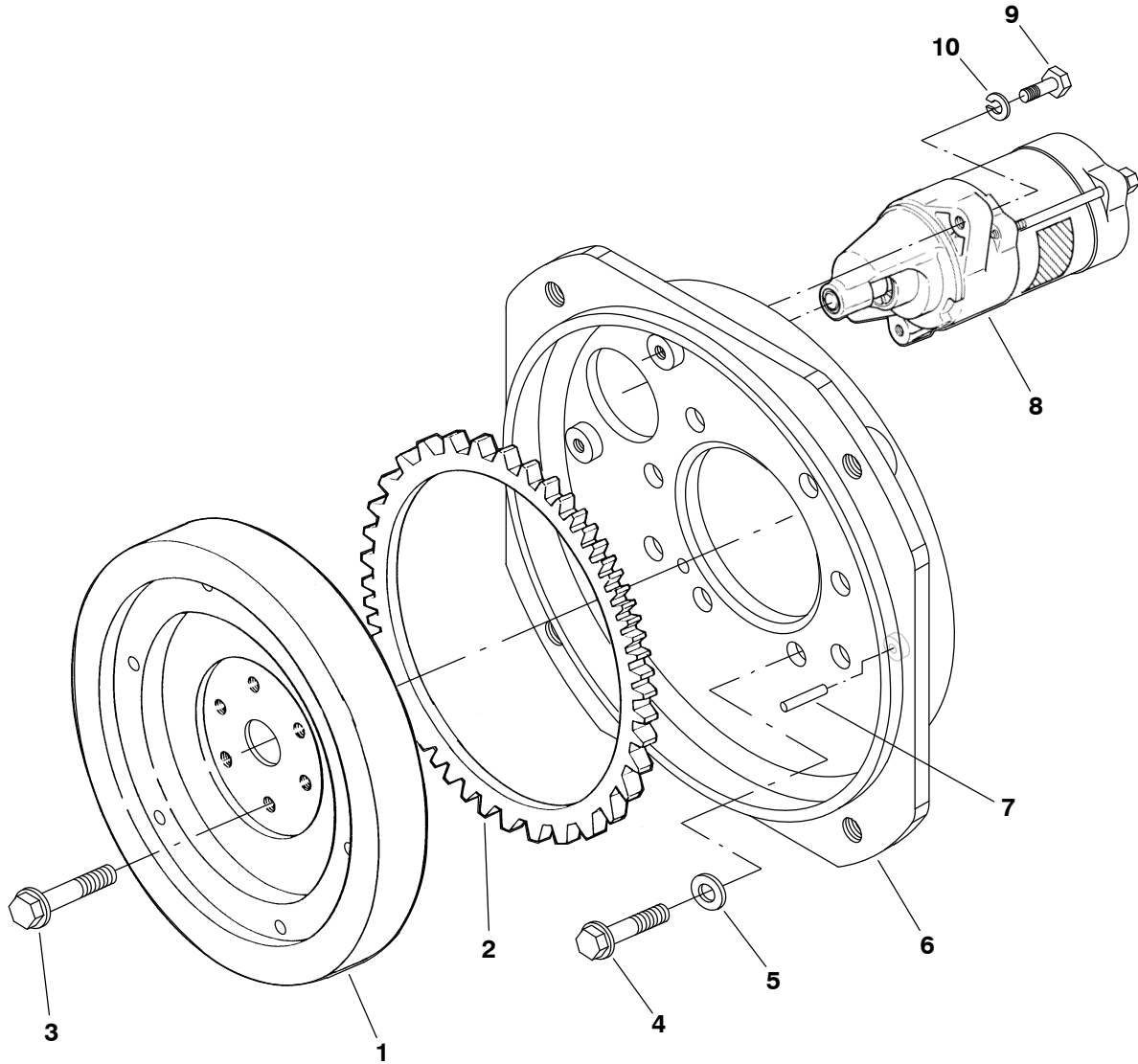
## Camshaft



REF NO.	PART NO.	QTY USED	PART DESCRIPTION	REF NO.	PART NO.	QTY USED	PART DESCRIPTION
1			Tappet	9	185-6521	1	Gear Assy, Idle (Includes Bushing)
	185-6516	8	Spec A-F	10	185-6522	1	Bushing, Idle Gear
	115-0541	8	Begin Spec G	11	185-6523	1	Collar, Idle Gear
2	185-6517	8	Rod, Push	12	185-6524	1	Collar, Idle Gear
3			Camshaft Assy (Includes Parts Marked)	13	185-6525	1	Circlip, Idle Gear
	185-6518	1	Spec A-E	14	185-6526	1	Shaft, Idle Gear
	105-0745	1	Spec F	15	185-2388	3	Bolt
	181-9126	1	Begin Spec G				
4	185-5558	1	*Screw, Set				
5	185-6519	1	*Gear, Cam				
6	185-5560	1	*Key, Feather				
7	185-6520	1	*Stopper, Camshaft				
8			*Bolt				
	185-2387	2	Spec A-E				
	185-2388	2	Begin Spec F				

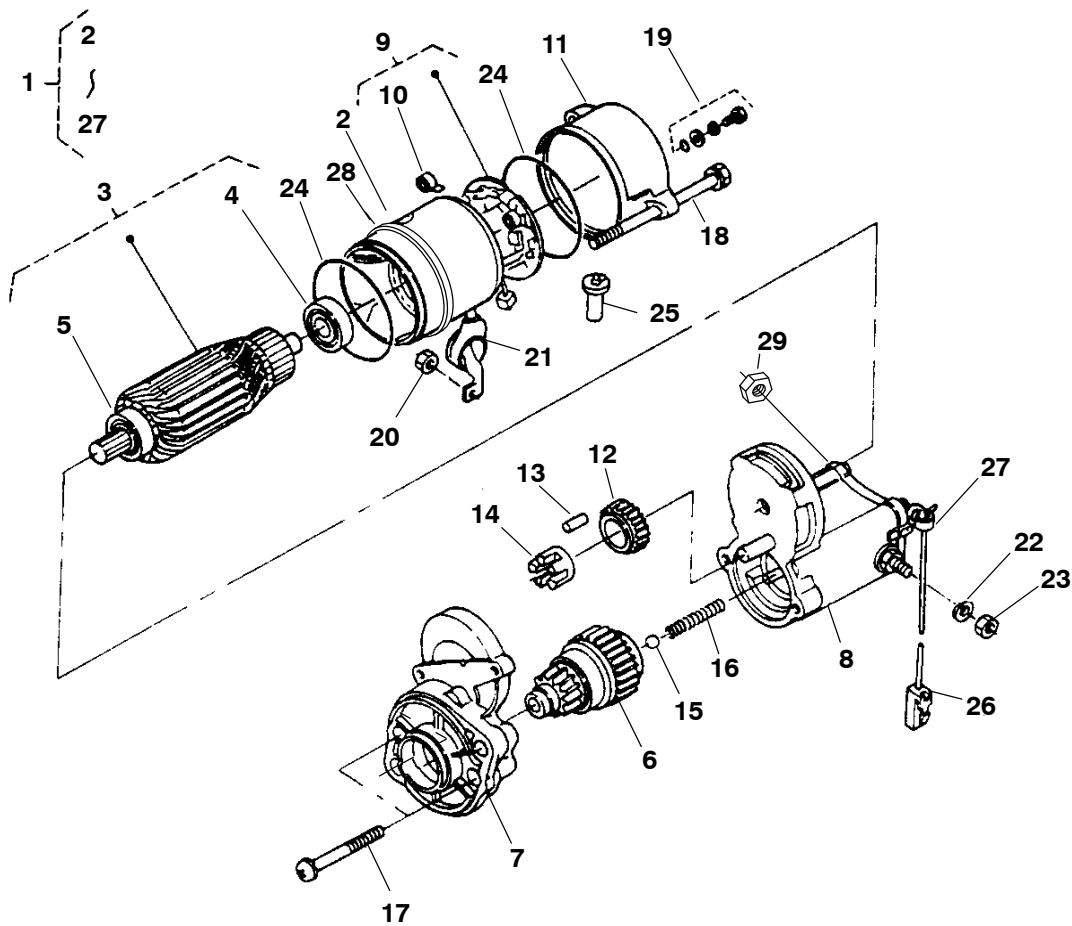
\* - Parts Included in Camshaft Assy.

# Flywheel



REF NO.	PART NO.	QTY USED	PART DESCRIPTION	REF NO.	PART NO.	QTY USED	PART DESCRIPTION
1	104-1862	1	Flywheel Assy (Includes Ring Gear)	5	740-1008	10	Washer, Flat (M10)
2	104-1861	1	Gear, Ring	6	231-0353-S0	1	Adapter Assy, Generator (Includes Dowel Pin)
3			Bolt, Flywheel (M10 x 1.25 x 30mm)	7	516-0247	1	Pin, Dowel
	185-5477	6	(69577 and Below)	8	191-2229	1	Starter (See Separate Page for Components)
	185-7243	6	(69578 and Up)	9	800-2515	2	Screw, Hex Head Cap (M8 x 1.25 x 30mm)
4	815-0600	10	Bolt, Flywheel Housing (M10 x 1.25 x 25mm)	10	850-2008	2	Washer, Lock (M8)

## Starter Components

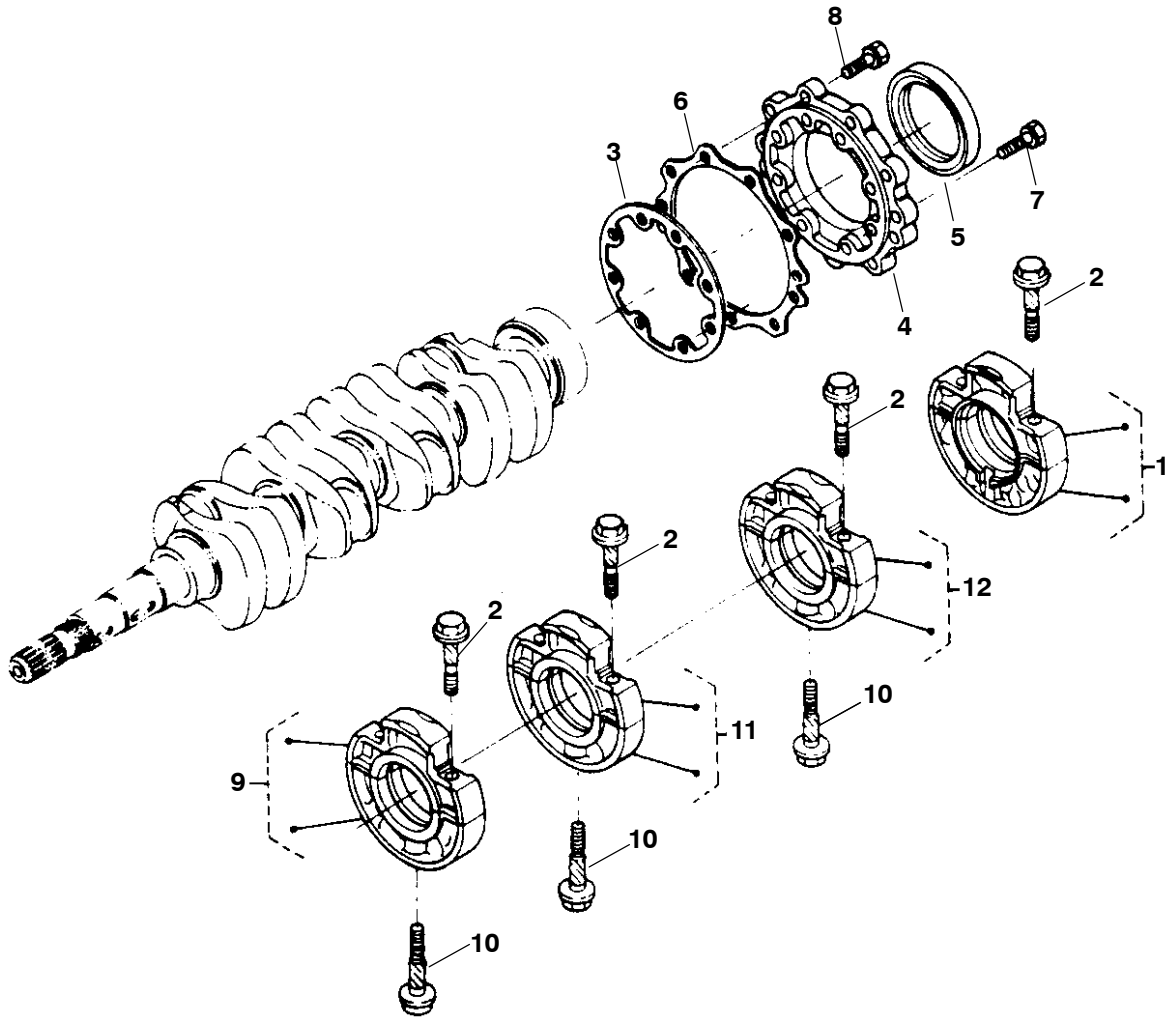


REF NO.	PART NO.	QTY USED	PART DESCRIPTION	REF NO.	PART NO.	QTY USED	PART DESCRIPTION
1	191-2229	1	Starter (Includes Parts Marked *)	16	191-2240	1	*Spring
2	185-6640	1	*Yoke	17	185-6653	2	*Bolt
3	185-6641	1	*Armature (Includes Bearings)	18	185-6654	2	*Bolt, Thru
4	191-2255	1	*Bearing	19	185-6655	2	*Bolt Assy
5	191-2254	1	*Bearing	20	185-6656	1	*Nut, Hex
6	191-2253	1	*Clutch	21	185-6657	1	*Cover
7	185-6645	1	*Housing Assy	22	185-7291	1	*Washer, Spring
8	191-2245	1	*Switch, Magnetic	23	185-6658	1	*Nut, Hex
9	191-2247	1	*Holder Assy, Brush (Includes Brush Spring)	24	191-2239	2	*O'Ring
10	191-2246	4	*Spring, Brush	25	185-6660	1	*Pipe, Drain
11	191-2229	1	*Frame Assy, End	26	185-6661	1	*Cord, Stop Solenoid
12	191-2250	1	*Gear	27	185-6662	1	*Band, Cover
13	191-2252	5	*Roller	28	332-0942	1	Tie, Cable
14	191-2251	1	*Retainer	29	750-1006	1	Nut, Hex (M8 x 1.25)
15	191-2241	1	*Ball				

\* - Parts Included in Starter.

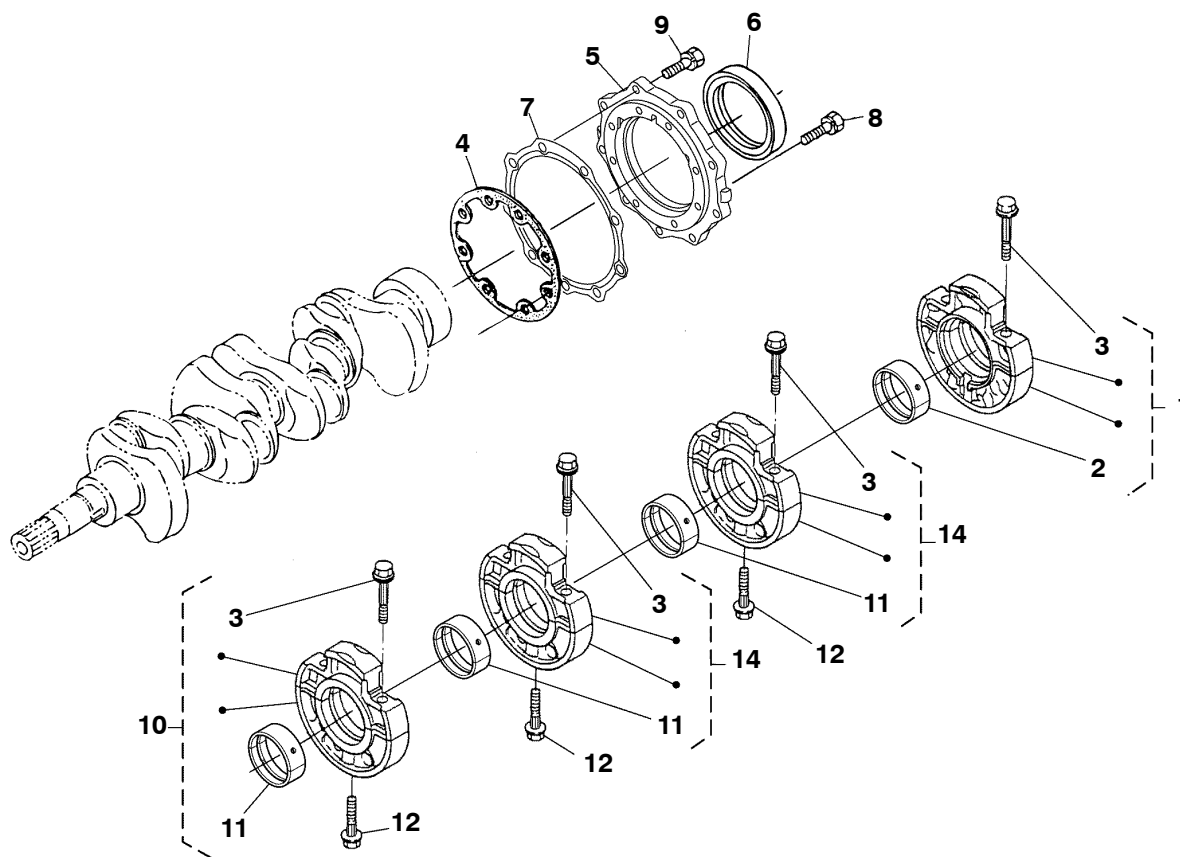


## Main Bearing Case (Spec A-F)



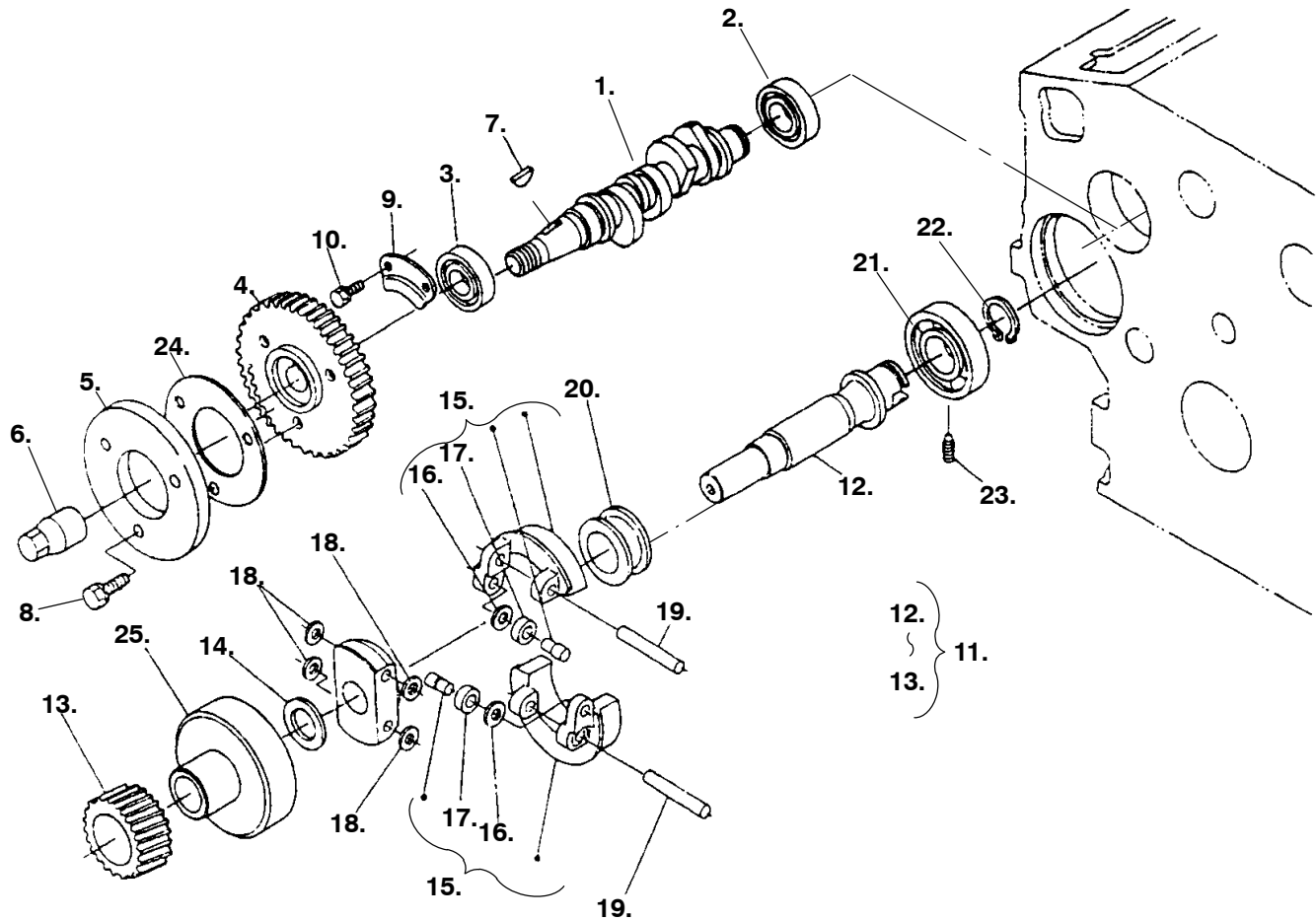
REF NO.	PART NO.	QTY USED	PART DESCRIPTION	REF NO.	PART NO.	QTY USED	PART DESCRIPTION
1	185-6506	1	Case Assy, Main Bearing	8	185-2390	9	Bolt
2	185-6507	8	Bolt, Bearing Case	9	185-6512	1	Case Assy, Main Bearing Spec A,B
3	185-6508	1	Gasket, Bearing Case Spec A,B		185-7305	1	Begin Spec F
	185-6869	1	Begin Spec F	10	185-6513	3	Bolt, Bearing Case
4	185-6509	1	Cover, Bearing Case Spec A,B	11	185-6514	1	Case Assy, Main Bearing Spec A,B
	185-6871	1	Begin Spec F		185-7306	1	Begin Spec F
5	185-6510	1	Seal, Oil	12	185-6515	1	Case Assy, Main Bearing Spec A,B
6	185-6511	1	Gasket, Bearing Case Cover Spec A,B		185-7307	1	Begin Spec F
	185-6871	1	Begin Spec F				
7	185-2391	8	Bolt				

## Main Bearing Case (Begin Spec G)



REF NO.	PART NO.	QTY USED	PART DESCRIPTION	REF NO.	PART NO.	QTY USED	PART DESCRIPTION
1	104-2120	1	Case Assy, Main Bearing	10	104-2118	1	Case Assy, Main Bearing
2	104-2121	1	Metal, Cranksaft	11	185-6549	3	Metal, Cranksaft
3	185-6507	8	Bolt, Bearing Case	12	185-6513	3	Bolt, Bearing Case
4	181-9124	1	Gasket, Bearing Case	13	104-2119	1	Case Assy, Main Bearing
5	232-4204	1	Cover, Bearing Case	14			Case Assy, Main Bearing
6	509-0547	1	Seal, Oil		232-4226	2	Spec G-H
7	101-0867	1	Gasket, Case Cover		A048A833	2	Spec J
8	185-2391	8	Bolt				
9	185-2390	9	Bolt				

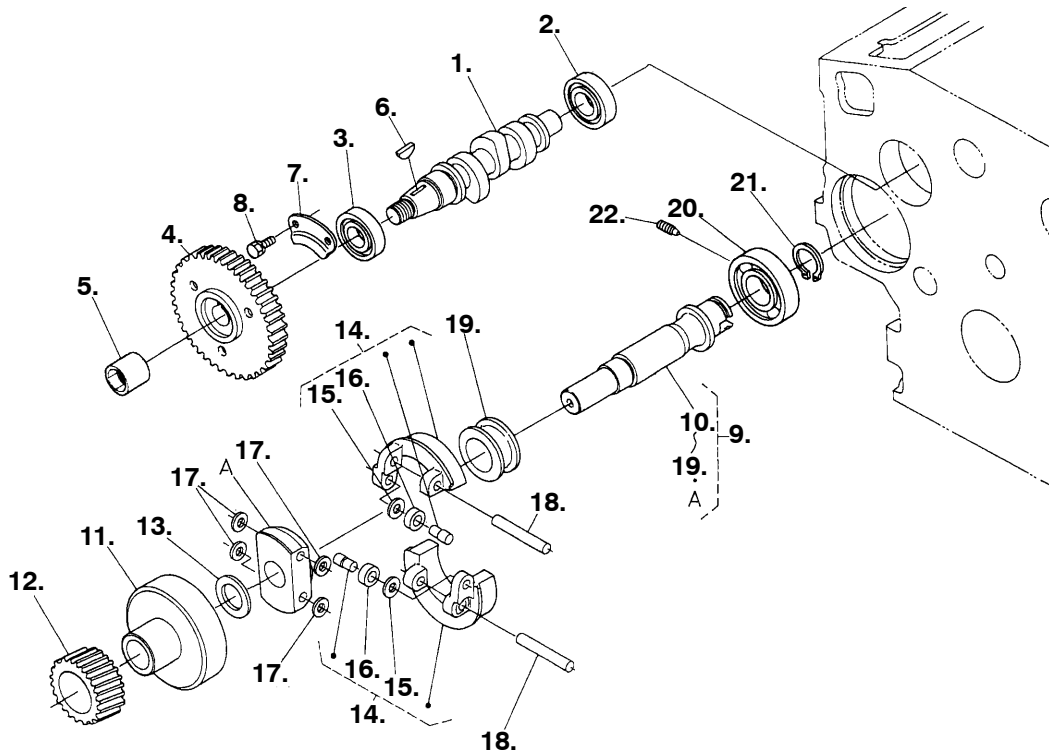
## Fuel Camshaft (Spec A)



REF NO.	PART NO.	QTY USED	PART DESCRIPTION	REF NO.	PART NO.	QTY USED	PART DESCRIPTION
1.	185-6741	1	Camshaft, Fuel(185-6557 Prior to S/N 489916)	14.	185-6566	1	*Collar, Governor Shaft
2.	510-0163	1	Bearing, Ball	15.	185-6567	2	*Weight, Governor (Includes Bearing and Washer)
3.	185-3093	1	Bearing, Ball	16.	185-5960	2	Washer
4.	185-6558	1	Gear, Injection Pump	17.	185-5959	2	Bearing
5.	185-6559	1	Cam, Fuel Prior to S/N489916)	18.	185-6568	4	*Washer, Governor Weight
	185-6876	1	Begin S/N489916)	19.	185-6569	2	*Shaft, Governor Weight
6.	185-6560	1	Nut, Cap	20.	185-6570	1	*Sleeve, Governor
7.	185-6561	1	Key, Woodruff	21.	185-6571	1	Bearing, Ball
8.	185-2389	3	Bolt	22.	185-6572	1	Circlip, Governor Shaft
9.	185-6562	1	Stopper, Fuel Camshaft	23.	185-6573	1	Screw, Set
10.	185-2386	2	Bolt	24.	185-6879	1	Washer
11.	185-6563	1	Shaft Assy,Governor (Includes Parts Marked *)	25.	185-6880	1	*Holder, Governor Gear
12.	185-6564	1	*Shaft, Governor				
13.	185-6565	1	*Gear, Governor				

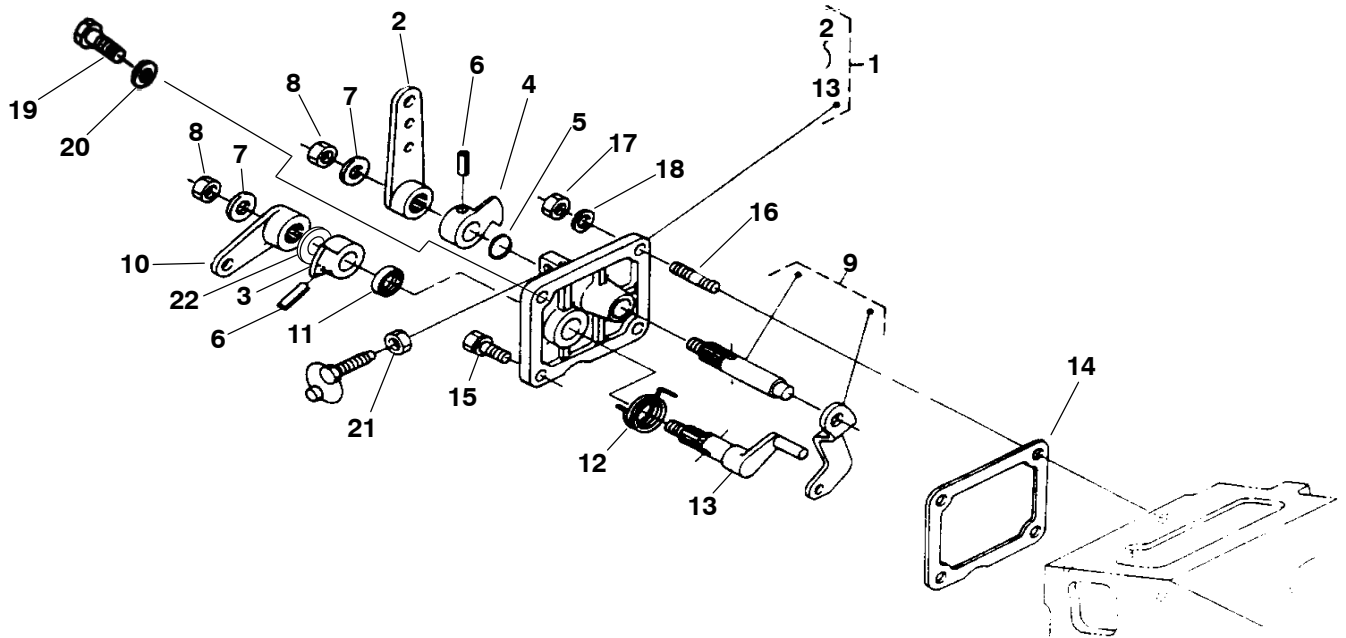
\* - Parts Included in Governor Shaft Assy.  
+ - Parts Marked Spec A-E are used only on these Specs.

## Fuel Camshaft (Begin Spec F)



REF NO.	PART NO.	QTY USED	PART DESCRIPTION	REF NO.	PART NO.	QTY USED	PART DESCRIPTION
1.	185-6741	1	Camshaft, Fuel	13.	185-6566	1	Collar, Governor Weight
2.	181-9122	1	Bearing, Ball	14.	185-6567	2	Comp Weight, Governor
3.	181-9123	1	Bearing, Ball	15.	185-5960	2	Washer
4.	181-9223	1	Gear, Injection Pump	16.	185-5959	2	Bearing
5.	185-6560	1	Nut	17.	185-6568	4	Washer, Governor Weight
6.	185-6561	1	Key, Woodruff	18.	185-6569	2	Shaft, Governor Weight
7.	185-6562	1	Stopper, Fuel Camshaft	19.	185-6570	1	Sleeve, Governor
8.	185-2388	2	Bolt	20.	185-6571	1	Bearing, Ball
9.	185-6563	1	Assy. Shaft, Governor	21.	185-6572	1	Circlip, Governor Shaft
10.	185-6564	1	Shaft, Governor	22.	185-6573	1	Screw, Set
11.	185-6880	1	Holder, Governor Gear				
12.	185-6565	1	Gear, Governor				

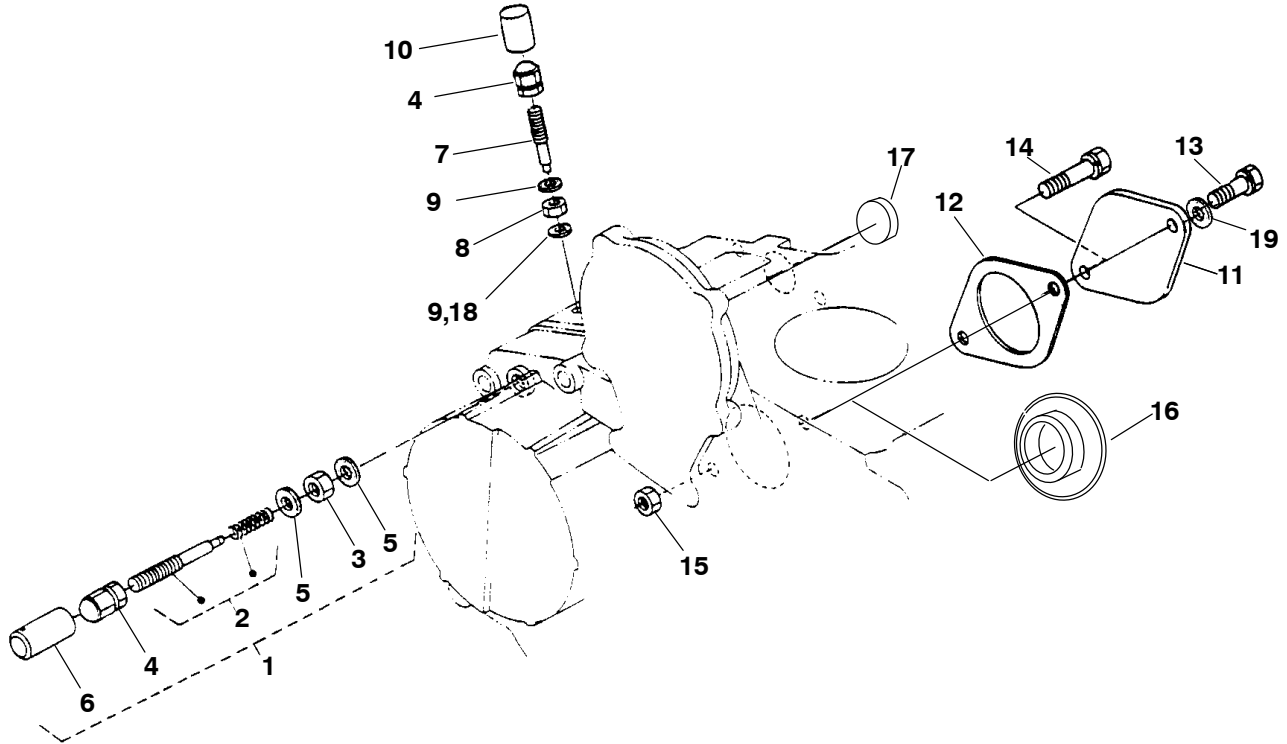
## Speed Control Plate



REF NO.	PART NO.	QTY USED	PART DESCRIPTION	REF NO.	PART NO.	QTY USED	PART DESCRIPTION
1			Plate Assy, Control (Includes Parts Marked *)	13			*Shaft, Stop Lever
	185-6606	1	Spec A-E		185-6615	1	Spec A-E
	181-9228	1	Spec F		181-9229	1	Spec F
	152-0378	1	Begin Spec G		185-6615	1	Begin Spec G
2	185-6607	1	*Lever, Speed Control	14			Gasket
3	185-6608	1	*Lever, Speed Control		185-6616	1	Spec A-E
4			*Lever, Speed Control		185-6894	1	Begin Spec F-G
	185-6609	1	Spec A-E	15	185-2388	2	Bolt
	185-7402	1	Spec F	16			Stud
	181-9151	1	Begin Spec G		185-2359	2	Spec A-E
5			*O'Ring		185-7425	2	Spec F
	185-5673	1	Spec A-E		185-7434	2	Begin Spec G
	185-7433	1	Begin Spec F-G	17	185-4255	2	Nut
6	185-2351	2	*Pin, Spring	18	185-6759	2	Washer, Spring
7	185-6610	2	*Washer, Plain	19	185-5688	1	Bolt
8	185-6611	2	*Nut	20	185-2284	1	Gasket
9	185-6612	1	*Lever Assy, Governor	21	185-6931	1	Nut
10	185-6613	1	*Lever, Engine Stop	22			Washer, Flat
11	185-2461	1	*Seal, Oil		526-0174	1	Spec A-E
12			*Spring, Return		181-9259	1	Begin Spec F-G
	185-6614	1	Spec A-E				
	185-6893	1	Spec F				
	185-6614	1	Begin Spec G				

\* - Parts Included in Control Plate Assy.

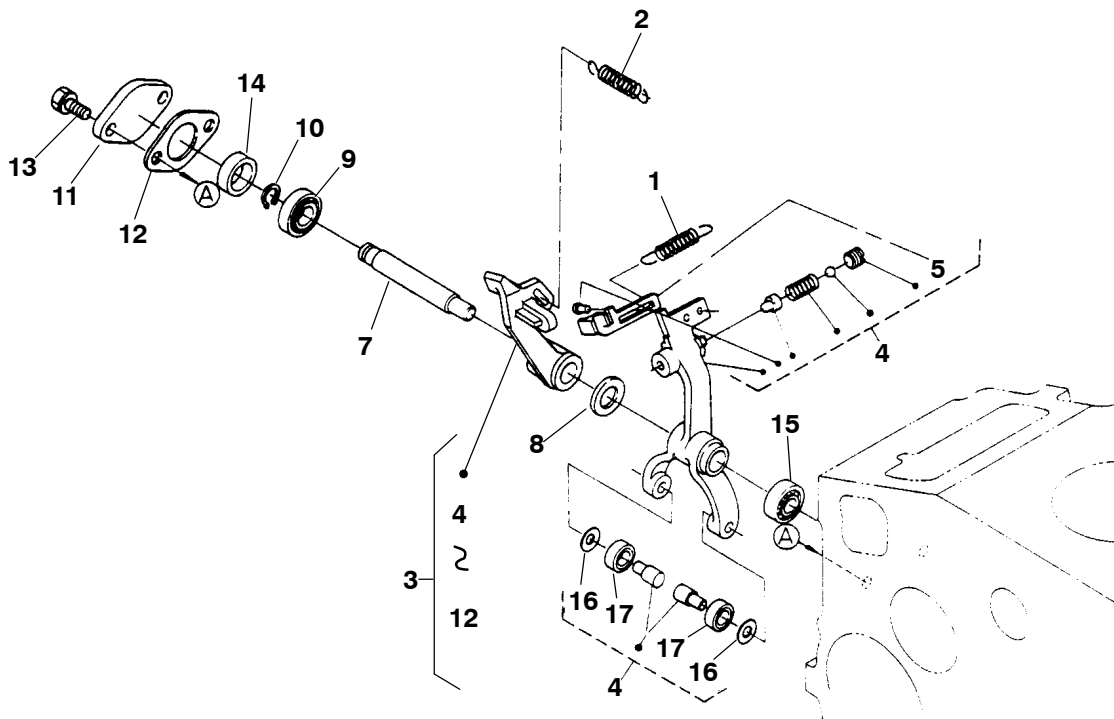
# Governor Lever



REF NO.	PART NO.	QTY USED	PART DESCRIPTION	REF NO.	PART NO.	QTY USED	PART DESCRIPTION
1			Apparatus Assy, Idle (Includes Parts Marked *)	11			Cover, Pump (Spec A, B)
	185-6574	1	Spec A-E		185-6578	1	Spec A-F
	150-2864	1	Spec F		333-0719	1	Begin Spec G
	181-9113	1	Begin Spec G	12			Gasket
2			*Bolt Assy, Adjusting		185-6579	1	Spec A-B
	185-6575	1	Spec A-E		184-0071	1	Begin Spec G
	181-9114	1	Begin Spec G	13			Bolt
3	185-5684	1	*Nut		185-2401	1	Spec A-B
4			*Nut, Cap		802-2544	1	Begin Spec G
	185-5685	2	Spec A-E	14	185-2564	1	Bolt (Spec A, B)
	860-2075	2	Spec F	15	185-2367	1	Nut
	181-9067	2	Begin Spec G	16			Cover, Pump
5	185-2284	2	*Gasket		185-7223	1	Spec F
6			*Cap		120-1396	1	Begin Spec G
	185-2283	1	Spec A-E	17	185-6889	1	Cap, Sealing
	185-6930	1	Begin Spec F-G	18	185-7313	1	Gasket (Begin Spec F)
7			Bolt, Adjusting	19	185-6759	2	Washer, Spring
	185-6577	1	Spec A-E				
	150-2866	1	Spec F				
	181-9104	1	Begin Spec G				
8			Nut				
	185-5684	1	Spec A-E				
	185-6931	1	Begin Spec F-G				
9			Gasket				
	185-2284	2	Spec A-E				
	185-7313	2	Spec F				
	185-2284	2	Begin Spec G				
10	185-6576	1	Cap (Spec A,B)				

\* - Parts Included in Idle Apparatus Assy.

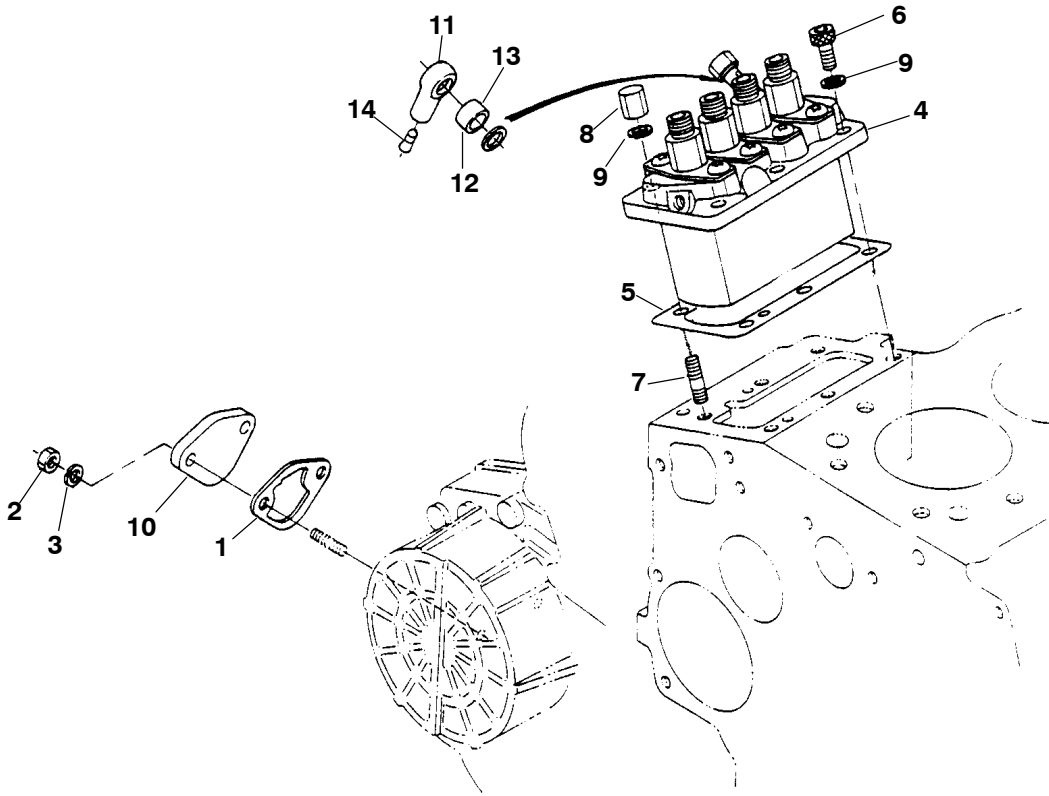
# Governor



REF NO.	PART NO.	QTY USED	PART DESCRIPTION	REF NO.	PART NO.	QTY USED	PART DESCRIPTION
1	185-6593	1	Spring, Start	7			*Shaft, Fork Lever
2			Spring, Governor	185-6599	1		Spec A-F
	185-6594	1	Spec A-E	181-9105	1		Begin Spec G
	506-0034	1	Spec F	8	185-6163	1	*Washer, Plain
	181-9150	1	Begin Spec G	9	185-6600	1	*Bearing, Miniature
3			Lever Assy, Fork (Includes Parts Marked *)	10	185-6601	1	*Circlip, External
	185-6595	1	Spec A-E	11			Cover, Fork Lever Shaft
	181-9149	1	Spec F-G	185-6602	1		Spec A-F
4			*Lever, Fork (Includes Parts Marked +)	150-2927	1		Begin Spec G
	185-7432	1	Spec A-E	12	185-6603	1	Gasket
	150-2868	1	Spec F	13	185-2387	2	Bolt
	185-7432	1	Begin Spec G	14	185-6604	1	Collar
5			+*Lever, Thrust	15	185-6605	1	Bearing, Miniature
	150-2867	1	Spec A-F	16	185-5960	2	+*Washer
	185-6597	1	Begin Spec G	17	185-5959	2	+*Bearing
6	185-6598	1	*Lever, Fork				

\* - Parts Included in Fork Lever Assy.  
 + - Parts Included in Fork Lever.

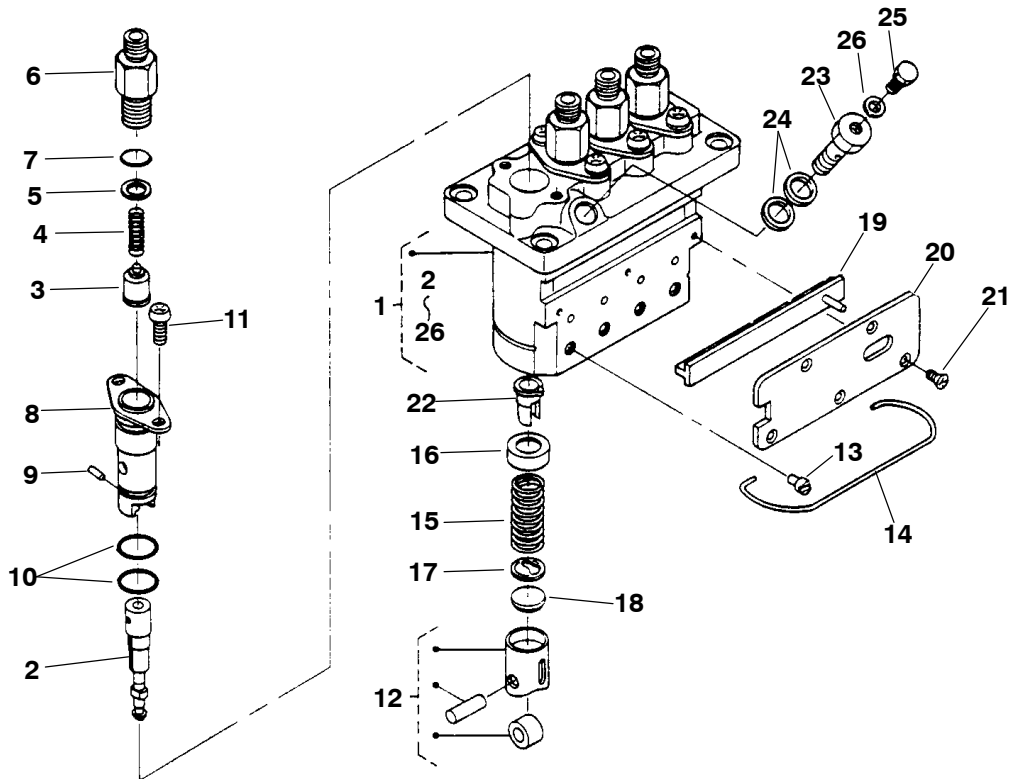
## Injection Pump (Spec A-E)



REF NO.	PART NO.	QTY USED	PART DESCRIPTION	REF NO.	PART NO.	QTY USED	PART DESCRIPTION
1	185-6580	1	Gasket, Fuel Pump	6	185-5623	3	Bolt, Hex Socket Head
2	185-4255	2	Nut	7	185-5624	3	Stud
3	185-6759	2	Washer, Spring	8	185-5625	3	Nut, Cap
4			Pump Assy, Injection	9	185-6759	6	Washer, Spring
	185-6581	1	Prior to S/N 489916	10	185-5798	1	Cover
	185-6748	1	Begin S/N 489916	11	185-6584	1	Joint, Eye
5			Shim, Injection Pump	12	185-2578	1	Gasket
	185-6742	1	0.20mm	13	185-6585	1	Collar, Eye Joint
	185-6743	1	0.25mm	14	185-6586	1	Cap
	185-6744	1	0.30mm				



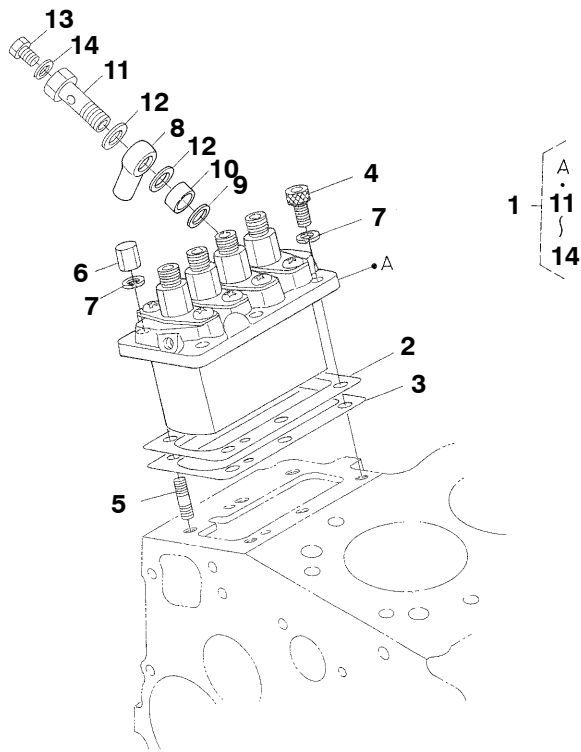
## Injection Pump Components



REF NO.	PART NO.	QTY USED	PART DESCRIPTION	REF NO.	PART NO.	QTY USED	PART DESCRIPTION
1			Pump Assy, Injection (Includes Parts Marked *)	16	185-5653	4	*Seat, Spring Upper
	185-6581	1	Prior to S/N 489916	17	185-5654	4	*Seat, Spring Lower
	185-6748	1	Begin S/N 489916	18	185-5655	4	*Shim
2			*Plunger, Pump	19			*Rack, Control
	185-6587	4	Spec A, B		185-6590	1	Spec A, B
	185-6884	4	Begin Spec F		185-7403	1	Begin Spec F
3	185-5639	4	*Valve, Delivery	20			*Plate
4	185-5640	4	*Spring, Delivery Valve		185-6591	1	Spec A, B
5	185-5641	4	*Gasket, Delivery Valve		185-7251	1	Begin Spec F
6	185-6588	4	*Holder, Delivery Valve	21	185-5658	5	*Screw, Countersunk Head
7	185-5643	4	*O'Ring	22	185-5659	4	*Sleeve, Control
8	185-5644	4	*Flange, Sleeve	23			*Screw, Follow
9	185-5645	4	*Pin, Joint		185-6592	1	Spec A, B
10	185-5646	8	*O'Ring		185-6887	1	Begin Spec F
11	185-5647	8	*Screw	24	185-5661	2	*Gasket
12	185-5649	4	*Tappet	25	185-5662	1	*Screw
13	185-5650	4	*Pin, Tappet Guide	26	185-5663	1	*Gasket
14	185-6589	1	*Clamp, Wire				
15	185-5652	4	*Spring, Plunger				

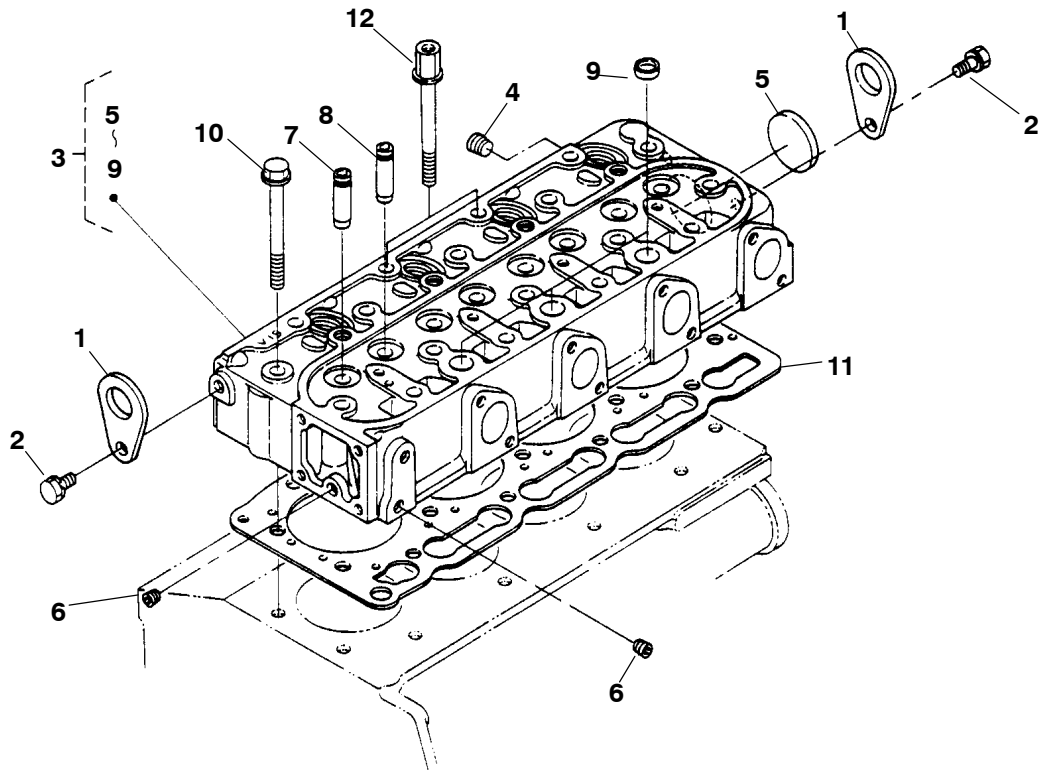
\* - Parts Included in Injection Pump Assy.

## Injection Pump (Begin Spec F)



REF NO.	PART NO.	QTY USED	PART DESCRIPTION	REF NO.	PART NO.	QTY USED	PART DESCRIPTION
1			Assy. , Pump Injection	5	185-5624	3	Stud
	185-6748	1	Spec F-H	6	185-5625	3	Nut
	A048A838	1	Spec J	7	185-6759	6	Washer, Spring
2			Shim, Injection Pump	8	185-6584	1	Joint
	147-0976	1	0.350mm	9	185-2578	1	Gasket
	147-0977	1	0.175mm	10	185-6585	1	Collar, Joint
	185-6742	1	0.20mm	11	185-6887	1	Bolt, Joint
	185-6743	1	0.25mm	12	185-5661	2	Gasket
3	185-6744	1	Shim, Injection Pump 0.30mm	13	185-5662	1	Screw
4	185-5623	3	Bolt, Hex Socket Head	14	185-5663	1	Gasket

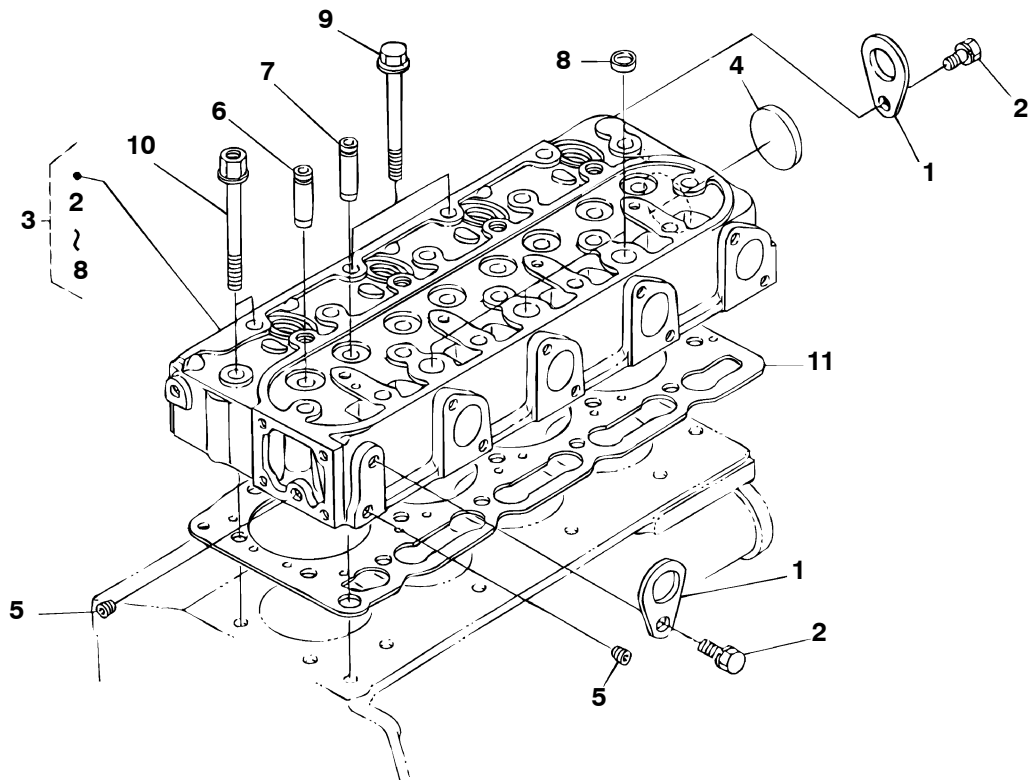
## Cylinder Head (Spec A-E)



REF NO.	PART NO.	QTY USED	PART DESCRIPTION	REF NO.	PART NO.	QTY USED	PART DESCRIPTION
1	185-2414	2	Hook, Engine	8	185-6476	4	*Guide, Exhaust Valve
2	185-6956	2	Bolt	9	185-2413	3	*Cap, Sealing
3			Head, Cylinder (Includes Parts Marked *)	10	185-6477	16	Bolt, Cylinder Head
	185-6474	1	Prior to S/N 489916	11			Gasket, Cylinder Head
	185-6747	1	Begin S/N 489916		185-6478	1	Prior to S/N 489916
4	185-5502	1	Plug		181-9225	1	Begin S/N 489916
5	185-2411	1	*Cap, Sealing	12	185-6479	2	Bolt, Cylinder Head
6	185-2188	2	*Plug				
7	185-6475	4	*Guide, Inlet Valve				

\* - Parts Included in Cylinder Head.

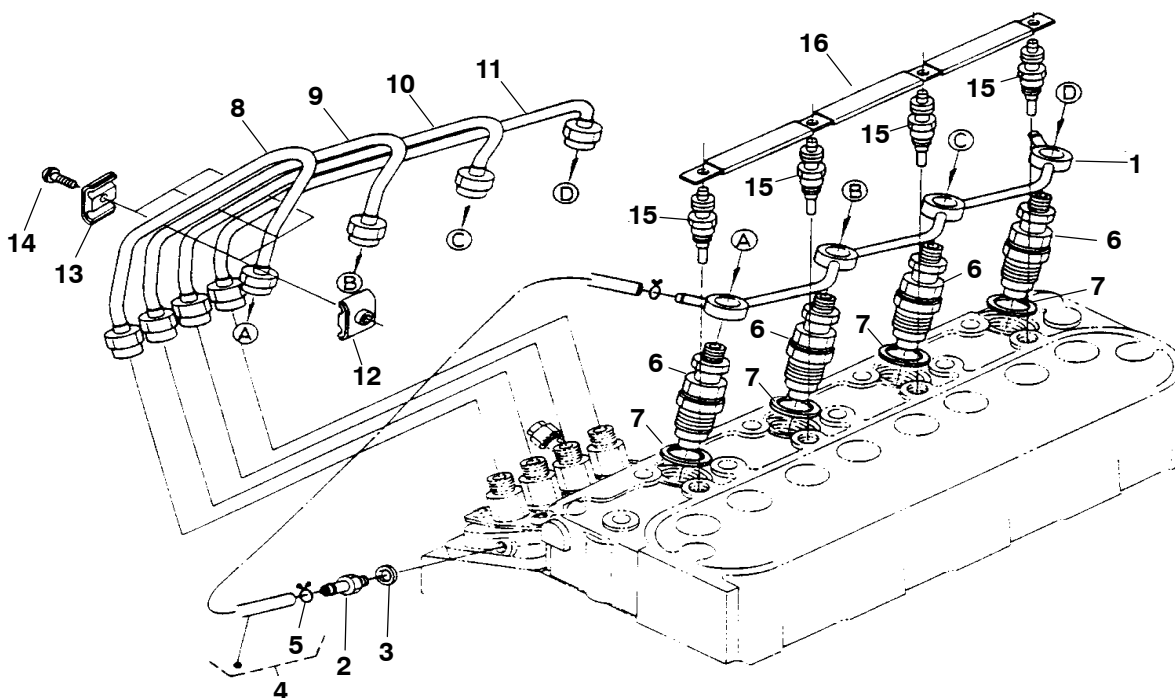
## Cylinder Head (Begin Spec F)



REF NO.	PART NO.	QTY USED	PART DESCRIPTION	REF NO.	PART NO.	QTY USED	PART DESCRIPTION
1	185-2414	2	Hook, Engine	8	185-2413	3	*Cap, Sealing
2	185-6956	1	Bolt	9	185-6477	16	*Bolt, Cylinder Head
3			Head, Cylinder (Includes Parts Marked *)	10	185-6479	2	Bolt, Cylinder Head
	185-6747	1	Spec F	11			Gasket, Cylinder Head
	110-4094	1	Begin Spec G		181-9225	1	Spec F
4	185-2411	1	Cap, Sealing		110-3965	1	Spec G-H
5	185-2188	2	*Plug		A048A641	1	Spec J
6	181-9118	4	*Guide, Inlet Valve				
7	181-9119	4	*Guide, Exhaust Valve				

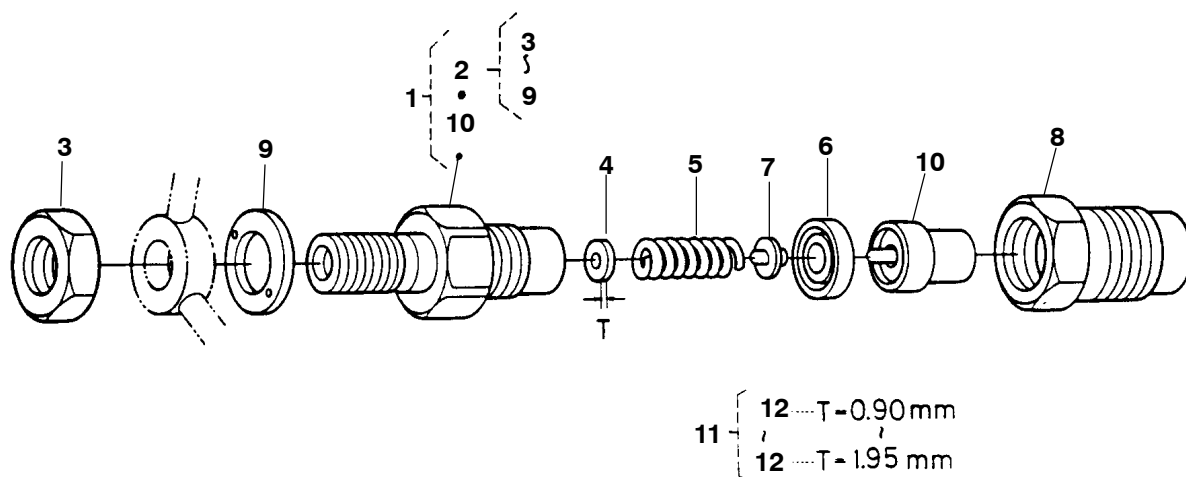
\* - Parts Included in Cylinder Head.

## Nozzle Holder and Glow Plug (Spec A)



REF NO.	PART NO.	QTY USED	PART DESCRIPTION	REF NO.	PART NO.	QTY USED	PART DESCRIPTION
1	185-6617	1	Pipe, Overflow	8	185-6750	1	Pipe, Injection
2	185-5609	1	Screw, Air Bleeder	9	185-6751	1	Pipe, Injection
3	185-5337	1	Gasket	10	185-6621	1	Pipe, Injection
4	185-5607	1	Pipe Assy, Overflow (Includes Clip)	11	185-6622	1	Pipe, Injection
5	185-5608	2	Clip, Pipe	12	185-5612	3	Clamp, Pipe
6			Holder Assy, Nozzle (See Separate Page for Components)	13	185-2345	3	Clamp, Pipe
	185-6618	4	Prior to S/N 489916	14	185-2385	3	Screw, Washer Head
	185-6740	4	Begin S/N 489916	15		4	Plug, Glow
7	185-5337	4	Gasket		185-6623	4	Spec A, B
					185-5421	4	Begin Spec C
				16	185-6624	1	Cord, Glow Plug

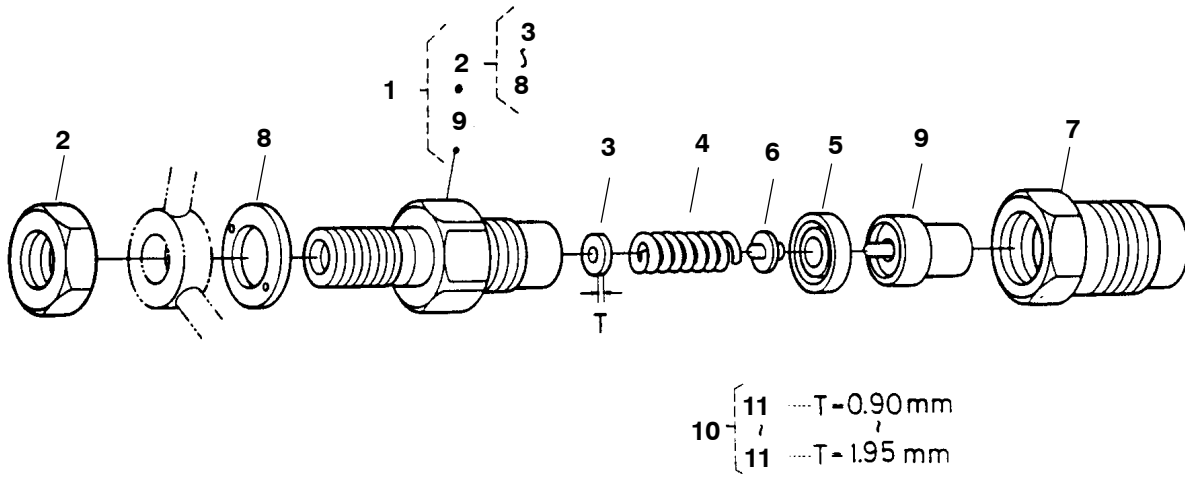
## Nozzle Holder Components (Spec A, B)



REF NO.	PART NO.	QTY USED	PART DESCRIPTION	REF NO.	PART NO.	QTY USED	PART DESCRIPTION
1	185-6618	4	Holder Assy, Nozzle (Includes Nozzle Holder Subassy)	185-5380		4	1.300mm
2	185-6625	4	Holder Subassy, Nozzle (Includes Parts Marked *)	185-5381		4	1.325mm
3	185-5616	4	*Nut	185-5382		4	1.350mm
4	185-5364	4	*Washer, Adjusting	185-5383		4	1.375mm
5	185-5617	4	*Spring, Nozzle	185-5384		4	1.400mm
6	185-5618	4	*Piece, Distance	185-5385		4	1.425mm
7	185-5619	4	*Rod, Push	185-5386		4	1.450mm
8	185-5620	4	*Nut, Nozzle	185-5387		4	1.475mm
9	185-5621	4	*Washer	185-5388		4	1.500mm
10	185-6626	4	*Piece, Nozzle	185-5389		4	1.525mm
11	185-5363	4	Washer Assy, Adjust	185-5390		4	1.550mm
12			Washer, Adjusting	185-5391		4	1.575mm
	185-5364	4	.900mm	185-5392		4	1.600mm
	185-5365	4	.925mm	185-5393		4	1.625mm
	185-5366	4	.950mm	185-5394		4	1.650mm
	185-5367	4	.975mm	185-5395		4	1.675mm
	185-5368	4	1.000mm	185-5396		4	1.700mm
	185-5369	4	1.025mm	185-5397		4	1.725mm
	185-5370	4	1.050mm	185-5398		4	1.750mm
	185-5371	4	1.075mm	185-5399		4	1.775mm
	185-5372	4	1.100mm	185-5400		4	1.800mm
	185-5373	4	1.125mm	185-5401		4	1.825mm
	185-5374	4	1.150mm	185-5402		4	1.850mm
	185-5375	4	1.175mm	185-5403		4	1.875mm
	185-5376	4	1.200mm	185-5404		4	1.900mm
	185-5377	4	1.225mm	185-5405		4	1.925mm
	185-5378	4	1.250mm	185-5406		4	1.950mm
	185-5379	4	1.275mm				

\* - Parts Included in Nozzle Holder Subassy.

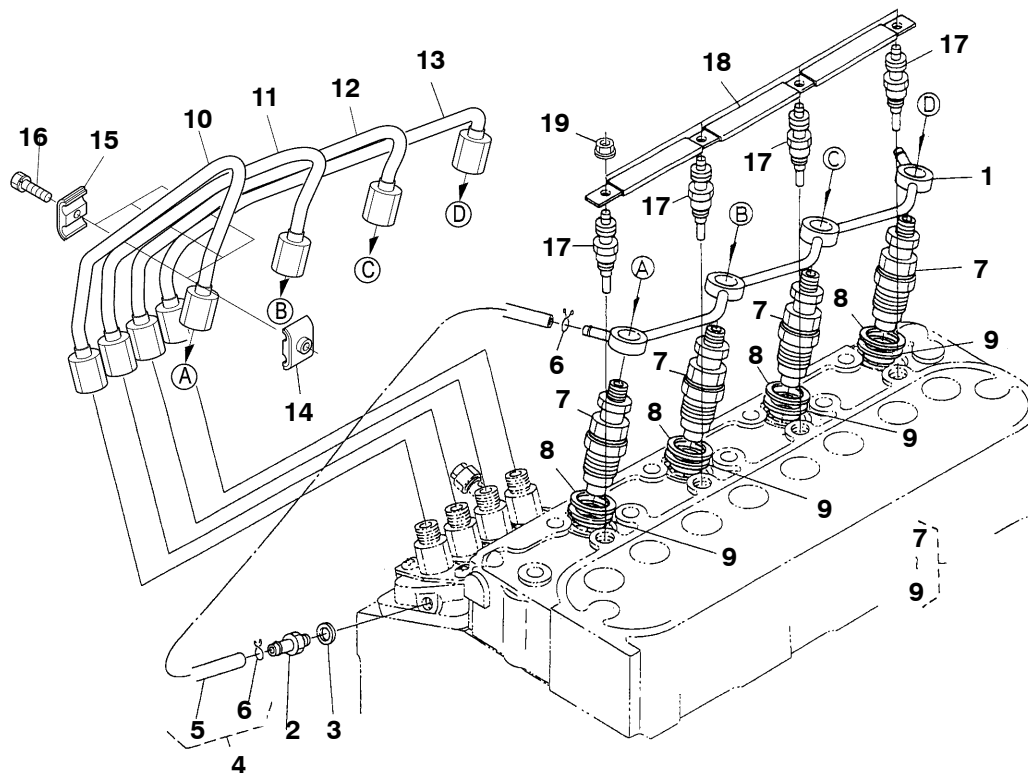
## Nozzle Holder Components (Begin Spec C)



REF NO.	PART NO.	QTY USED	PART DESCRIPTION	REF NO.	PART NO.	QTY USED	PART DESCRIPTION
1	185-6740	4	Holder Assy, Nozzle (Includes Nozzle Holder Subassy)	11			Washer, Adjusting
2	185-6900	4	*Nut	185-6909	4		0.10mm
3	185-6901	4	*Washer, Adjusting	185-6910	4		0.20mm
4	185-6902	4	*Spring, Nozzle	185-6911	4		0.30mm
5	185-6903	4	*Piece, Distance	185-6912	4		0.40mm
6	185-6904	4	*Rod, Push	185-6913	4		0.50mm
7	185-6905	4	*Nut, Nozzle	185-6914	4		0.52mm
8	185-6906	4	*Washer	185-6915	4		0.54mm
9	185-6907	4	*Piece, Nozzle	185-6916	4		0.56mm
10	185-6908	4	Washer Assy, Adjust	185-6917	4		0.58mm
				185-6918	4		0.80mm

\* - Parts Included in Nozzle Holder Assy.

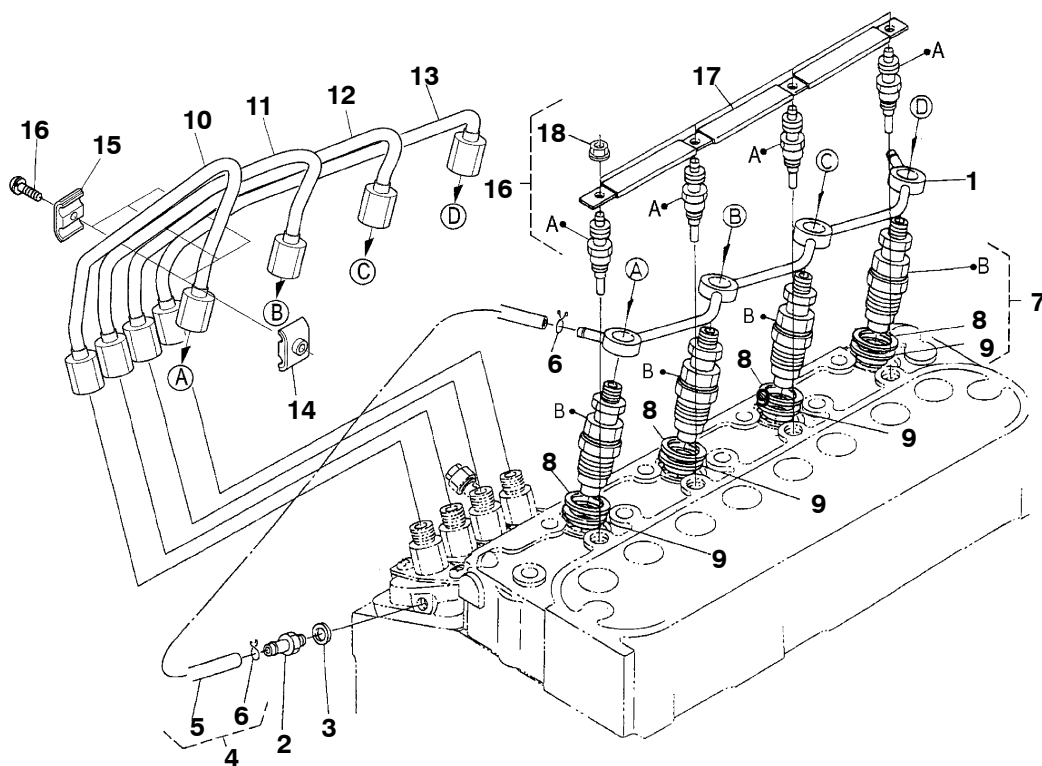
## Nozzle Holder and Glow Plug (Spec F)



REF NO.	PART NO.	QTY USED	PART DESCRIPTION	REF NO.	PART NO.	QTY USED	PART DESCRIPTION
1	185-7404	1	Assy., Pipe Overflow	10	185-6750	1	Pipe, Injection
2	185-5609	1	Screw, Air Bleeder	11	185-6751	1	Pipe, Injection
3	185-2284	1	Gasket	12	185-6897	1	Pipe, Injection
4	185-5607	1	Pipe Assy, Overflow (Includes Clip)	13	185-7266	1	Pipe, Injection
5	181-9055	1	Pipe, Overflow	14	185-5612	3	Clamp, Pipe
6	185-5608	2	Clip, Pipe	15	185-2345	3	Clamp, Pipe
7	185-6740	4	Holder, Nozzle	16	185-2385	3	Screw, W/Washer
8	185-5337	4	Gasket	17	185-5421	4	Plug, Glow
9	185-5985	4	Seal, Heat	18	185-6624	1	Cord, Glow Plug
				19	185-5616	4	Nut, Flange

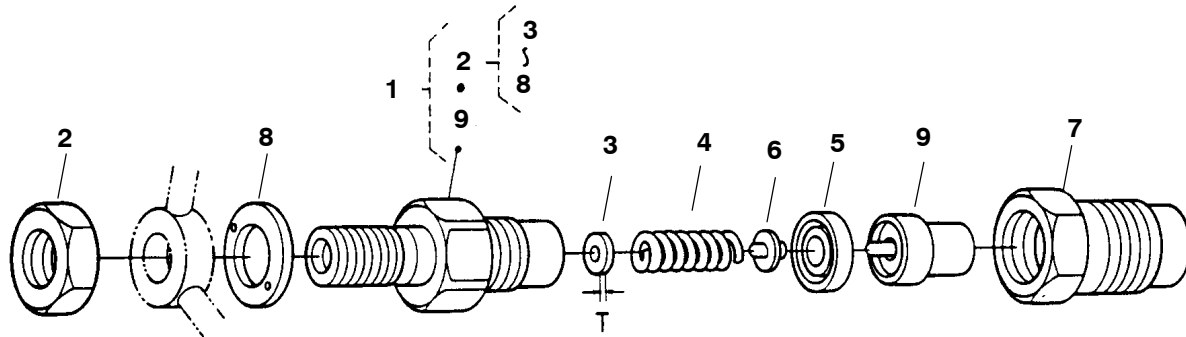


## Nozzle Holder and Glow Plug (Begin Spec G)



REF NO.	PART NO.	QTY USED	PART DESCRIPTION	REF NO.	PART NO.	QTY USED	PART DESCRIPTION
1	185-7404	1	Assy., Pipe Overflow	10	185-6750	1	Pipe, Injection
2	185-5609	1	Screw, Air Bleeder	11	185-6751	1	Pipe, Injection
3	185-2284	1	Gasket	12	185-6897	1	Pipe, Injection
4	185-5607	1	Pipe Assy, Overflow (Includes Clip)	13	185-7266	1	Pipe, Injection
5	181-9055	1	Pipe, Overflow	14	185-5612	3	Clamp, Pipe
6	185-5608	2	Clip, Pipe	15	185-2345	3	Clamp, Pipe
7	147-0978	4	Kit, Holder Nozzle	16	185-2385	3	Screw, W/Washer
8	185-5337	4	Gasket	17	333-0805	4	Plug, Glow
9	185-5985	4	Seal, Heat	18	185-6624	1	Cord, Glow Plug
				19	185-5615	4	Nut, Flange

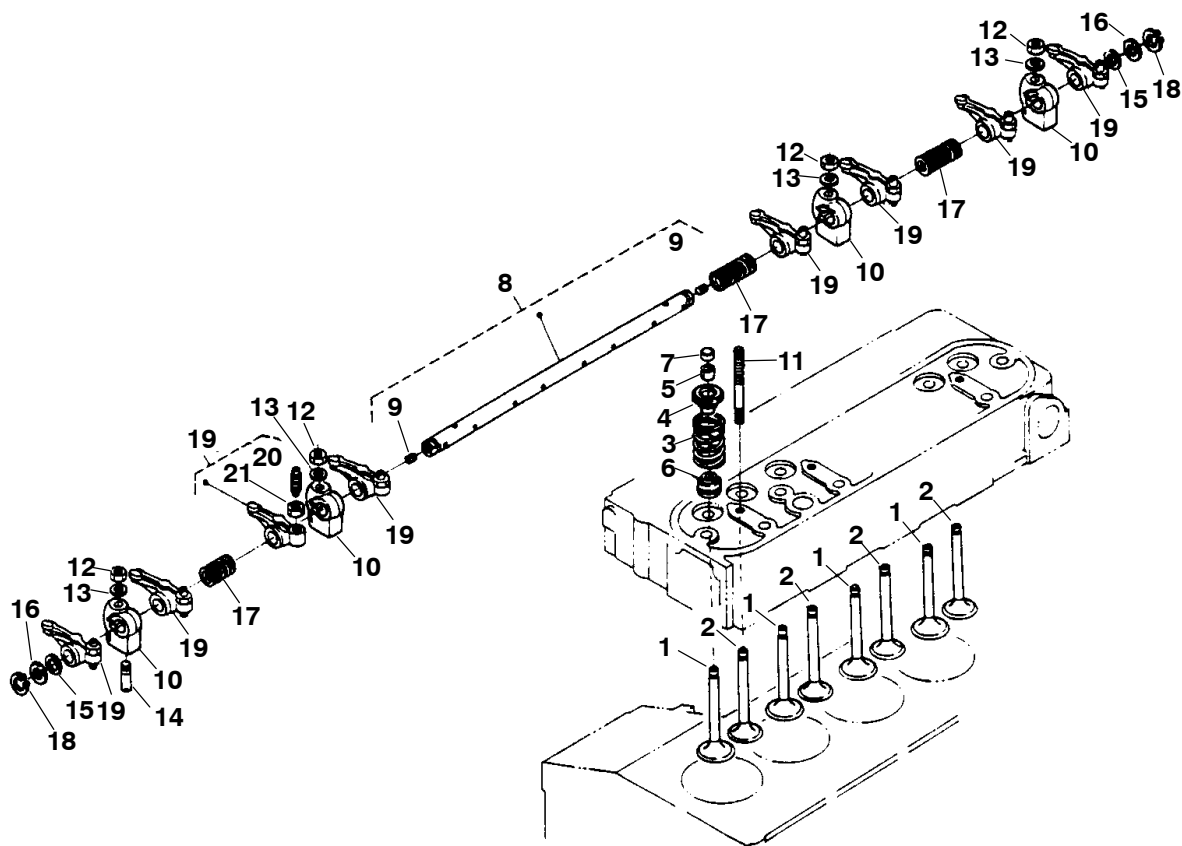
## Nozzle Holder Components (Begin Spec F)



10 { 11 ---T-0.90mm  
       11 ---T-1.95mm

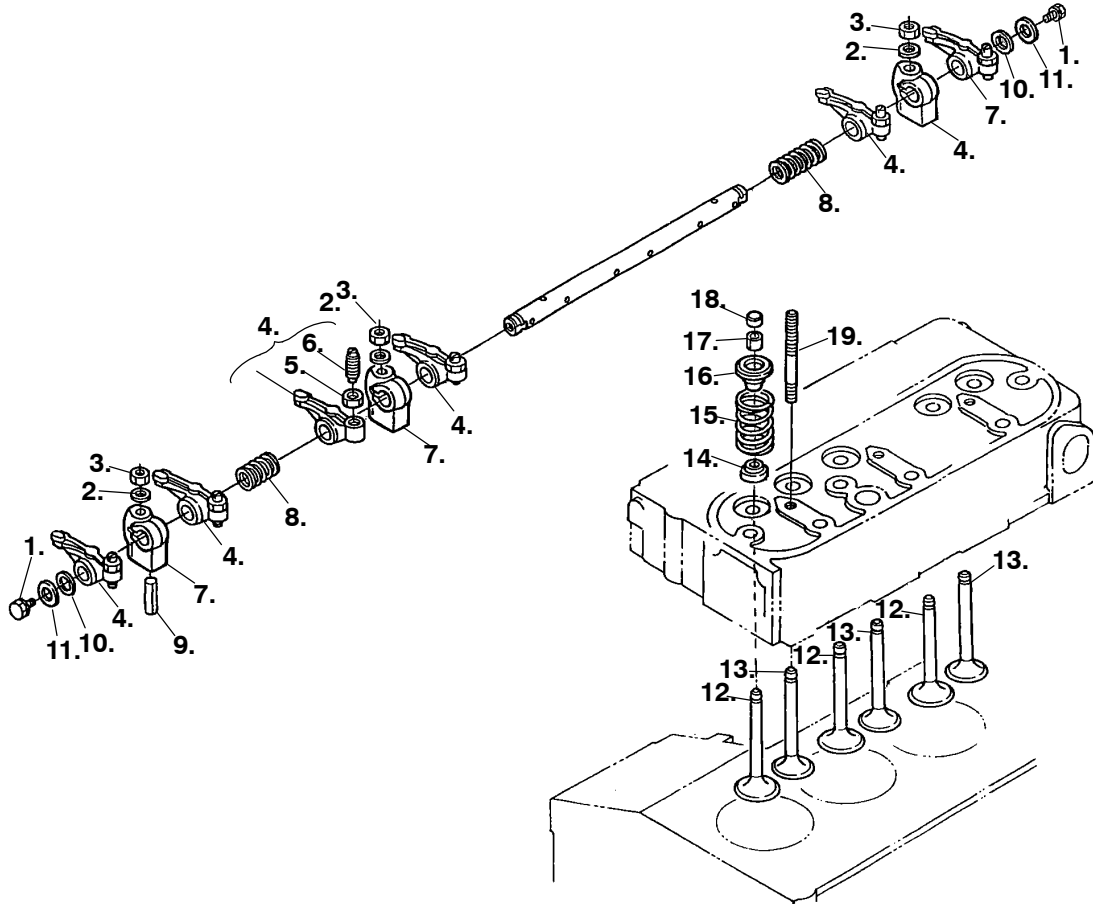
REF NO.	PART NO.	QTY USED	PART DESCRIPTION	REF NO.	PART NO.	QTY USED	PART DESCRIPTION
1	185-6740	4	Holder Assy, Nozzle (Includes Nozzle Holder Subassy)	11			Washer, Adjusting
2	185-6900	4	*Nut	185-6909	4		0.10mm
3	185-6901	4	*Washer, Adjusting	185-6910	4		0.20mm
4	185-6902	4	*Spring, Nozzle	185-6911	4		0.30mm
5	185-6903	4	*Piece, Distance	185-6912	4		0.40mm
6	185-6904	4	*Rod, Push	185-6913	4		0.50mm
7	185-6905	4	*Nut, Nozzle	185-6914	4		0.52mm
8	185-6906	4	*Washer	185-6915	4		0.54mm
9			*Piece, Nozzle	185-6916	4		0.56mm
	185-6907	4	Spec F	185-6917	4		0.58mm
	147-0179	4	Begin Spec G	185-6918	4		0.80mm
10	185-6908	4	Washer Assy, Adjust				

## Valve and Rocker Arm (Spec A-E)



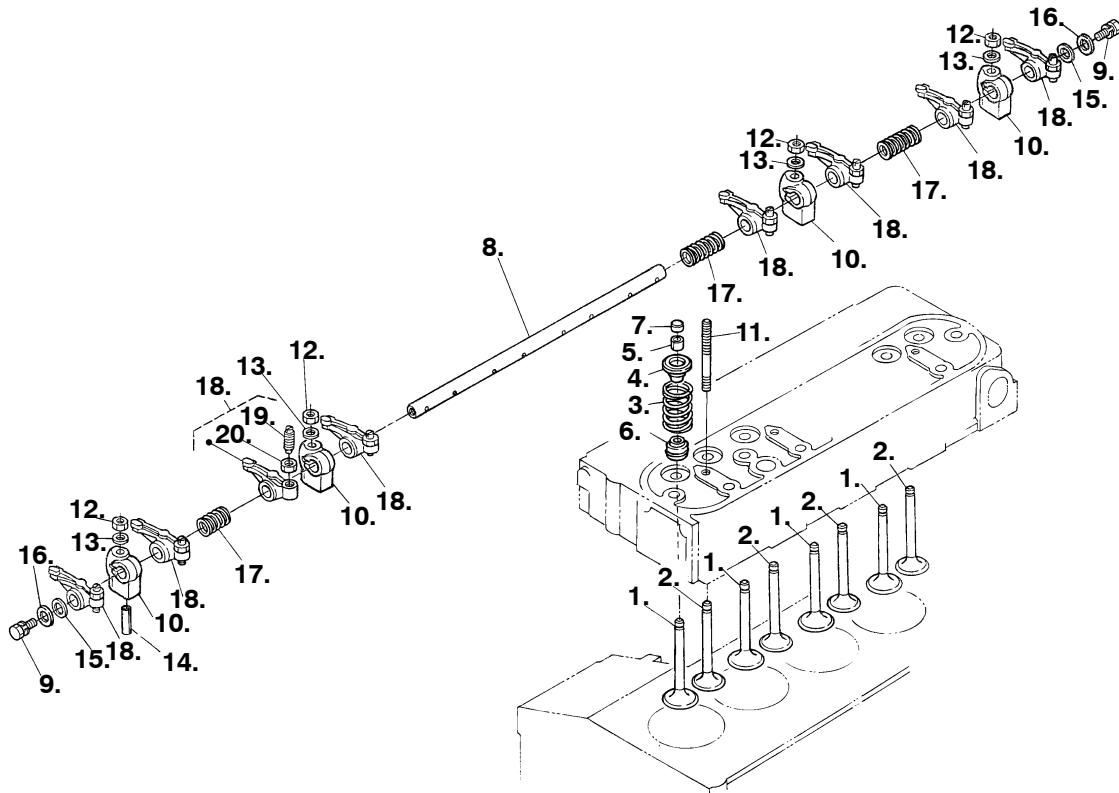
REF NO.	PART NO.	QTY USED	PART DESCRIPTION	REF NO.	PART NO.	QTY USED	PART DESCRIPTION
1	185-6681	4	Valve, Inlet	12	185-2179	4	Nut
2	185-6682	4	Valve, Exhaust	13	185-2184	4	Washer, Plain
3	185-6683	8	Spring, Valve	14	185-2072	1	Screw, Rocker Arm Set
4	185-2076	8	Retainer, Valve Spring	15	185-6689	2	Washer, Rocker Arm Shaft
5	110-3827	8	Collet, Valve Spring	16	185-6690	2	Washer, Rocker Arm Shaft
6	185-6684	8	Seal, Valve Stem	17	185-6691	3	Spring, Rocker Arm
7	185-2080	8	Cap, Valve	18	185-6692	2	Circlip, External
8	185-6685	1	Shaft Assy, Rocker Arm (Includes Set Screws)	19	185-6693	8	Arm Assy, Rocker (Includes Screw and Nut)
9	185-6686	2	Screw, Set	20	185-6694	8	Screw, Adjusting
10	185-6687	4	Bracket, Rocker Arm	21	185-6695	8	Nut
11	185-6688	4	Stud				

## Valve and Rocker Arm (Spec F)



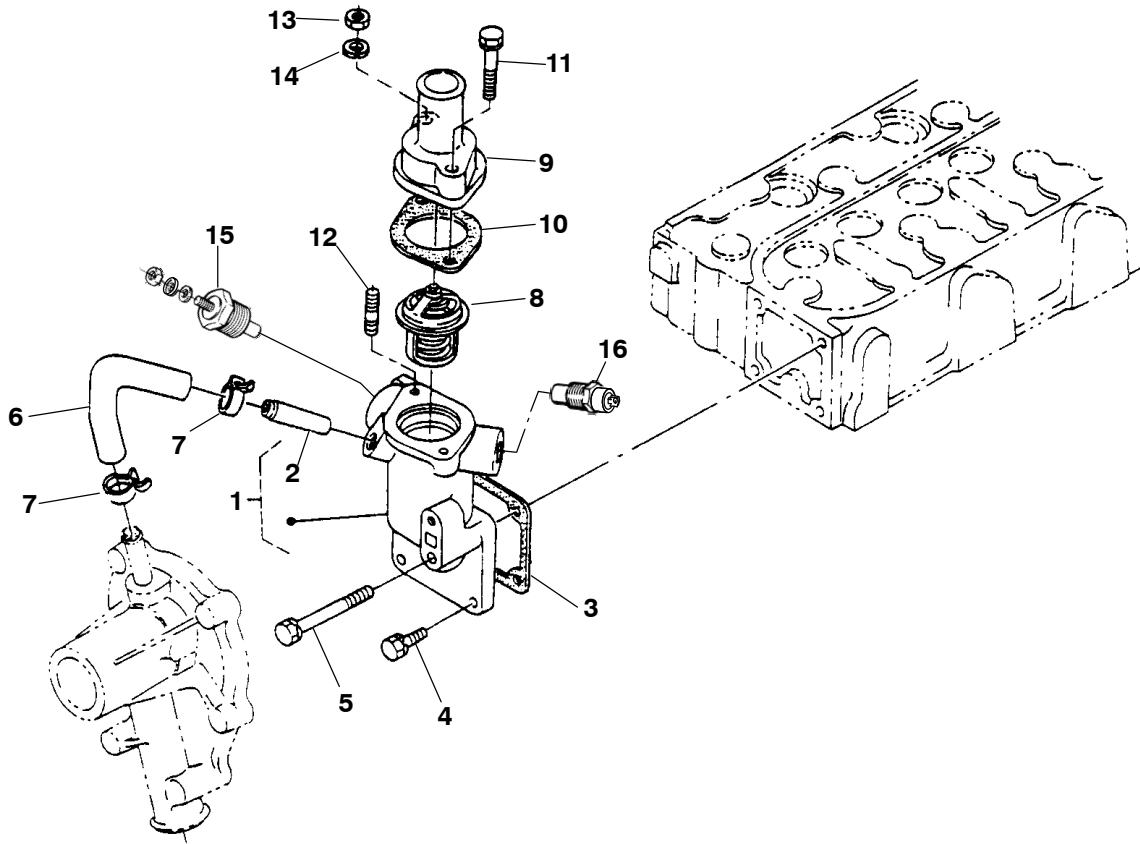
REF NO.	PART NO.	QTY USED	PART DESCRIPTION	REF NO.	PART NO.	QTY USED	PART DESCRIPTION
1.	185-7395	2	Bolt	10.	185-6689	2	Washer, Rocker Arm Shaft
2.	185-2184	4	Washer, Plain	11.	185-7395	2	Bolt
3.	185-2179	4	Nut	12.	185-6681	4	Valve, Inlet
4.	185-6693	8	Arm Assy, Rocker (Includes Screw and Nut)	13.	185-6682	4	Valve, Exhaust
5.	185-6695	8	Nut	14.	185-7300	8	Seal, Valve Stem
6.	185-6694	8	Screw, Adjusting	15.	185-6683	8	Spring, Valve
7.	185-6687	4	Bracket, Rocker Arm	16.	110-3959	8	Retainer, Spring
8.	185-6691	3	Spring, Rocker Arm	17.	185-2077	8	Collet, Valve Spring
9.	185-7441	1	Pin, Spring	18.	185-6459	8	Cap, Valve
				19.	185-6688	4	Stud

## Valve and Rocker Arm Begin Spec G



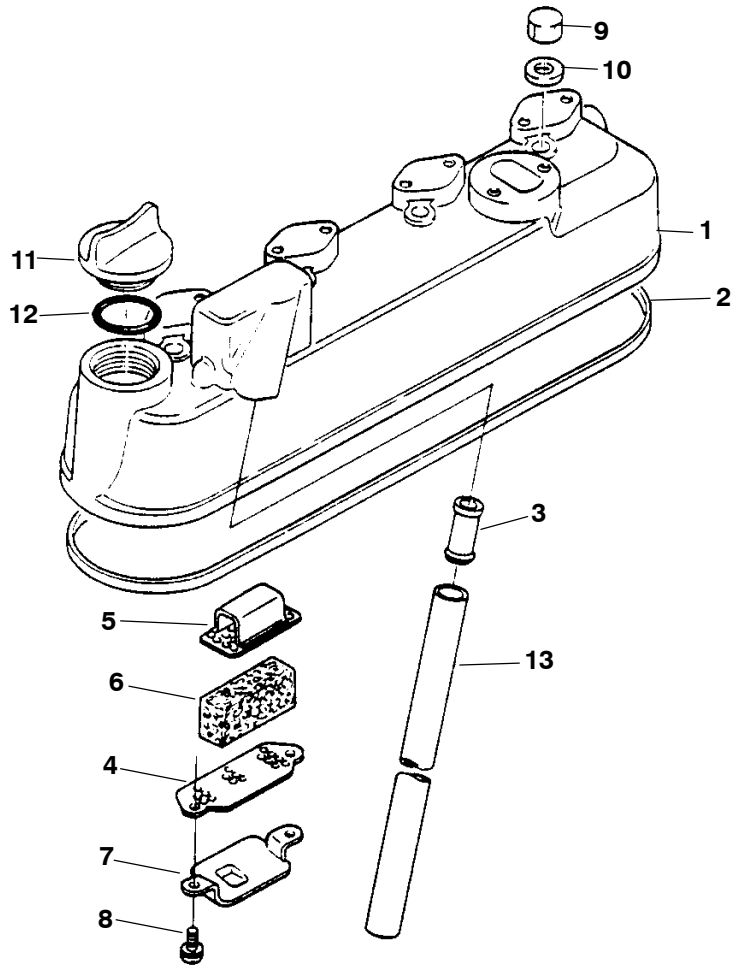
REF NO.	PART NO.	QTY USED	PART DESCRIPTION	REF NO.	PART NO.	QTY USED	PART DESCRIPTION
1.	110-4021	4	Valve, Inlet	12.	185-2179	4	Nut
2.	110-4022	4	Valve, Exhaust	13.	185-2184	4	Washer, Plain
3.	185-6683	8	Spring, Valve	14.	185-7441	1	Pin, Spring
4.	181-9117	8	Retainer, Spring	15.	185-6689	2	Washer, Rocker Arm Shaft
5.	181-9036	8	Collet, Valve Spring	16.	185-7395	4	Washer, Plain
6.	110-3974	8	Seal, Valve Stem	17.	185-6691	3	Spring, Rocker Arm
7.	185-6459	8	Cap, Valve	18.	185-6693	8	Arm Assy, Rocker (Includes Screw and Nut)
8.			Shaft, Rocker Arm	19.	185-6694	8	Screw, Adjusting
	181-9100	1	Spec G-H	20.	185-6695	8	Nut
	A048A824	1	Spec J				
9.	185-7440	2	Bolt				
10.	185-6687	4	Bracket, Rocker Arm				
11.	185-6688	4	Stud				

# Water Flange



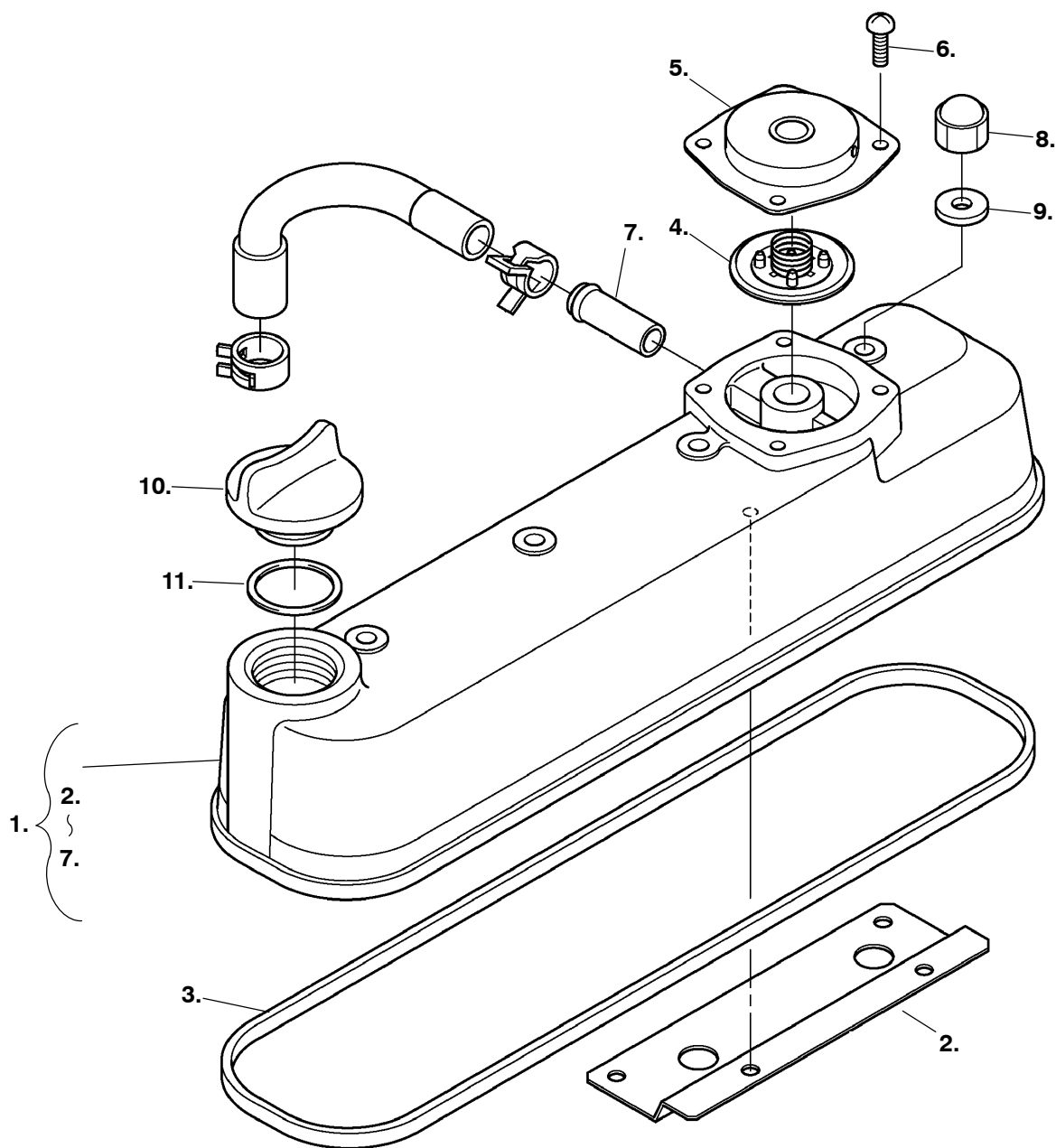
REF NO.	PART NO.	QTY USED	PART DESCRIPTION	REF NO.	PART NO.	QTY USED	PART DESCRIPTION
1			Flange, Water (Includes Water Return Pipe)	6	185-6666	1	Pipe, Water Return
	185-6663	1	Spec A-E	7	185-6667	2	Band, Pipe
	185-6921	1	Spec F	8	185-5458	1	Thermostat
	185-6663	1	Begin Spec G	9	185-6668	1	Cover, Thermostat
2			Pipe, Water Return	10			Gasket, Thermostat
	185-6445	1	Spec A-F		185-2238	1	Spec A-F
	181-9107	1	Begin Spec G		185-7242	1	Begin Spec G
3	185-6922	1	Gasket, Water Flange	11	185-6677	1	Bolt
4	185-2388	3	Bolt	12	185-6670	1	Stud
5			Bolt	13	185-4255	1	Nut
	185-6665	1	Spec A-F	14	185-6759	1	Washer, Spring
	185-6489	1	Begin Spec G	15	193-0318	1	Sender, Water Temperature
				16	309-0552	1	Thermostat (S2)

## Cylinder Head Cover (Spec A-E)



REF NO.	PART NO.	QTY USED	PART DESCRIPTION	REF NO.	PART NO.	QTY USED	PART DESCRIPTION
1	185-6497	1	Cover, Cylinder Head	8	185-2384	2	Screw, Washer Head
2	185-6498	1	Gasket, Head Cover	9	185-6394	4	Nut, Cap
3	185-6499	1	Joint, Breather Pipe	10	185-2291	4	Gasket
4	185-6500	1	Plate, Breather Element	11	185-5407	1	Cover, Oil Fill
5	185-6501	1	Plate, Breather Element	12	185-2349	1	O'Ring
6	185-6721	1	Element, Breather	13	185-6504	1	Pipe, Breather
7	185-6503	1	Shield, Breather Oil				

## Cylinder Head Cover (Spec F)

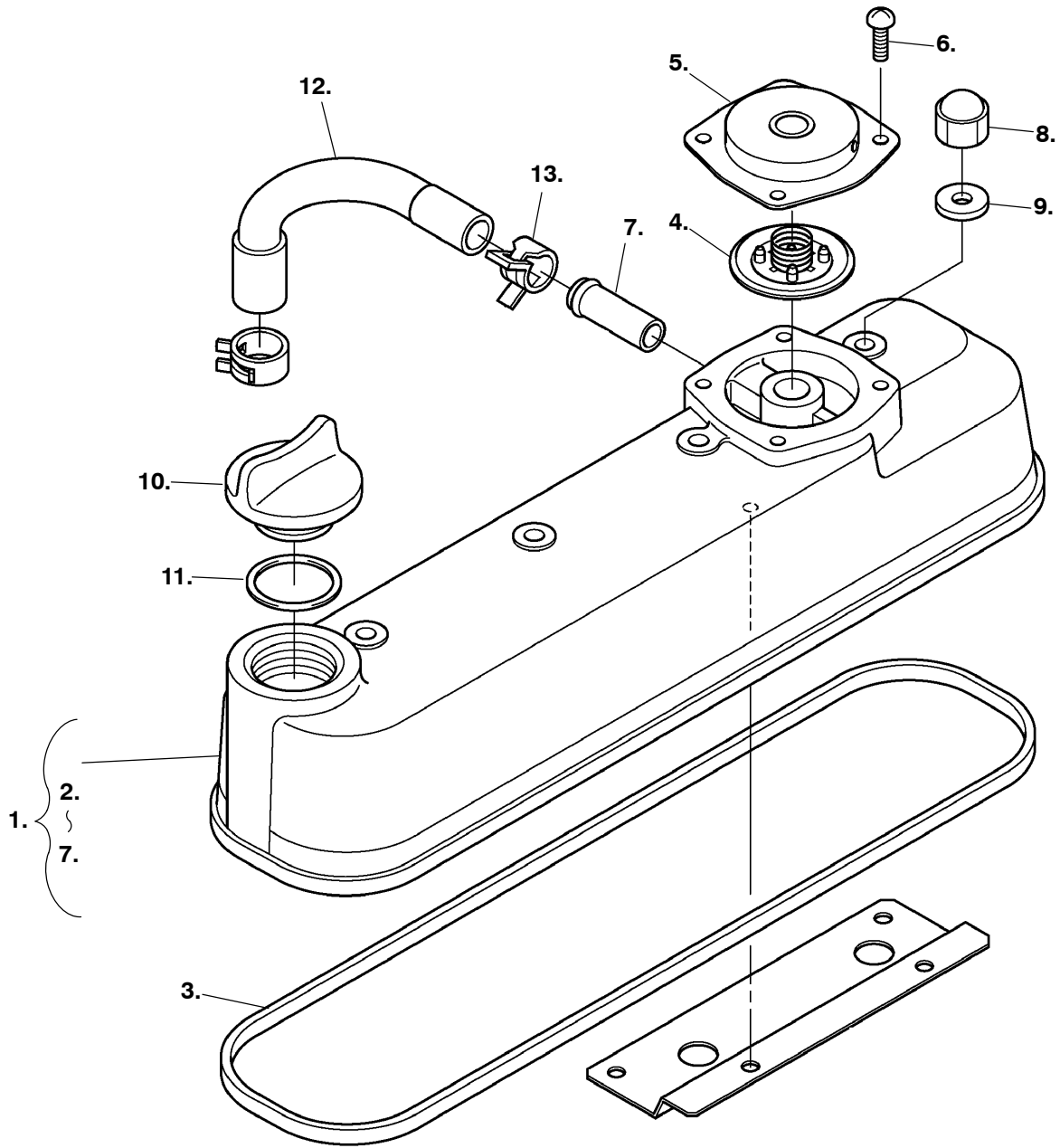


REF NO.	PART NO.	QTY USED	PART DESCRIPTION	REF NO.	PART NO.	QTY USED	PART DESCRIPTION
1.	115-0514	1	Cover Assy, Cylinder Head (Includes Parts Marked *)	8.	185-6394	3	*Nut
2.	123-2298	1	Shield, Breather	9.	185-2291	3	Gasket
3.	185-6498	1	*Gasket, Cylinder Head Cover	10.	123-2299	1	Plug, Oil Filler
4.	123-2296	1	*Comp. Valve, Breather	11.	185-7426	1	O' Ring
5.	123-2295	1	*Cover, Breather				
6.	185-3055	4	*Screw, Pan Head				
7.	185-6103	1	*Pipe, Water Return				

\* - Parts Included in Cylinder Head Cover Assy.



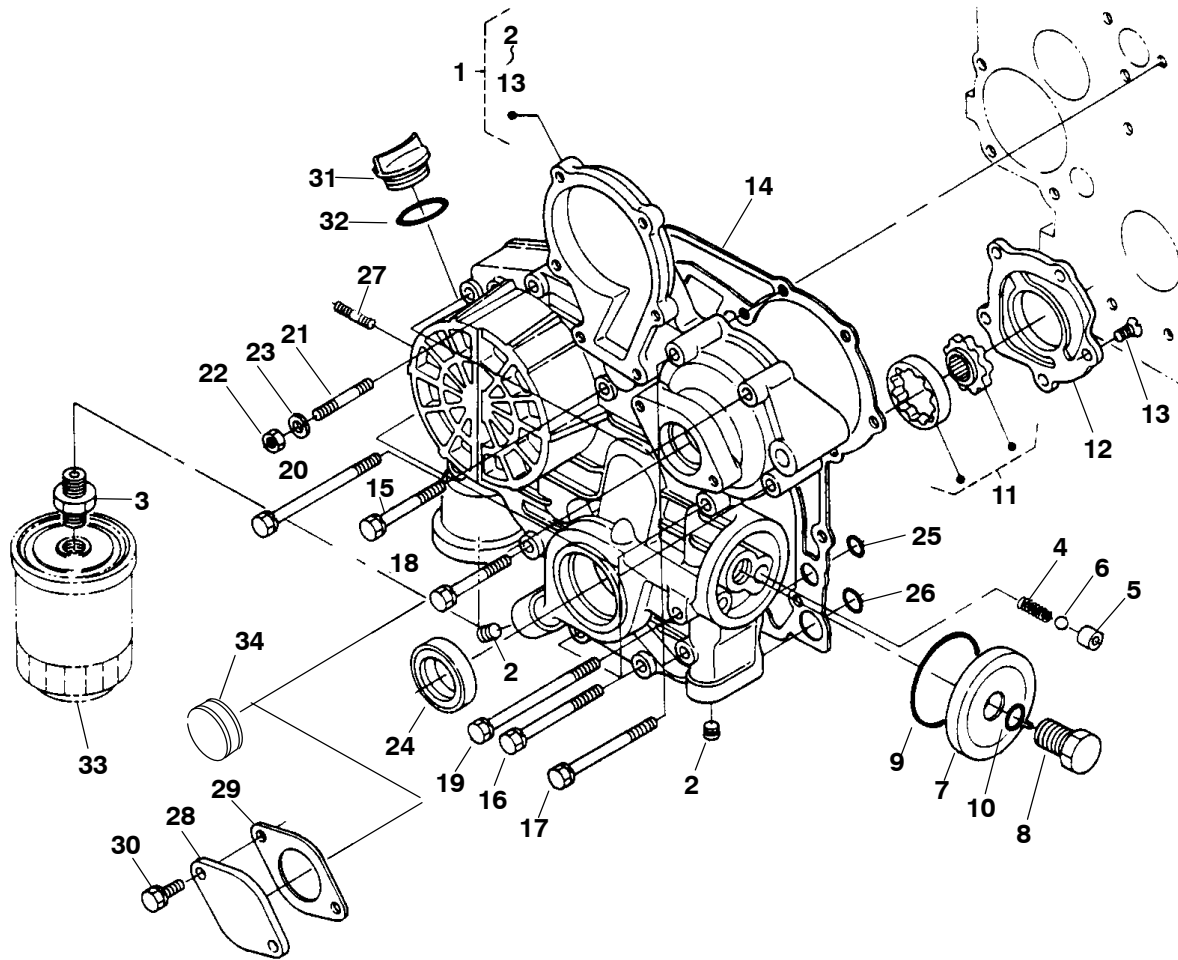
## Cylinder Head Cover (Begin Spec G)



REF NO.	PART NO.	QTY USED	PART DESCRIPTION	REF NO.	PART NO.	QTY USED	PART DESCRIPTION
1.	134-5386	1	Cover Assy, Cylinder Head (Includes Parts Marked *)	9.	181-9000	1	Plug, Oil Filler
2.	185-6498	1	*Gasket, Cylinder Head Cover	10.	185-7426	1	O' Ring
3.	123-2296	1	*Comp. Valve, Breather	11.	181-9220	1	Tub, Breather
4.	181-9238	1	*Cover, Breather	12.	181-9025	1	Clamp, Hose
5.	185-2384	4	*Screw, Pan Head	13.	181-9109	1	Clamp, Hose
6.	181-9188	1	*Pipe, Water Return				
7.	181-9079	3	*Nut				
8.	185-2291	3	Gasket				

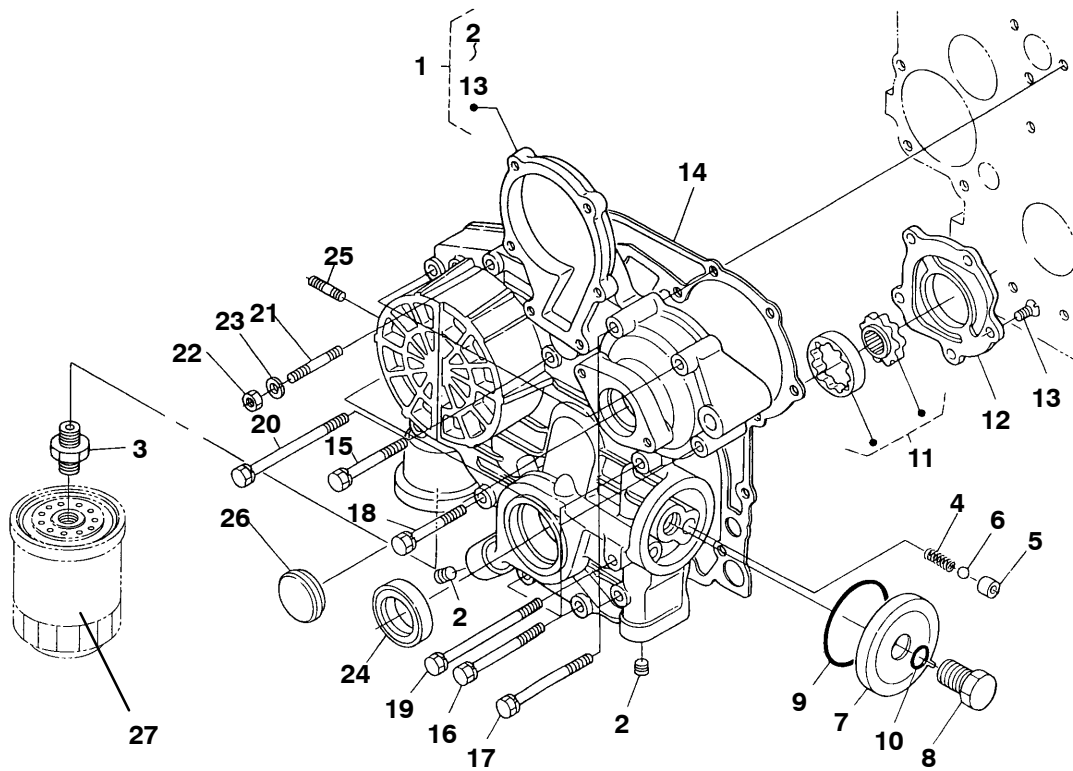
\* - Parts Included in Cylinder Head Cover Assy.

## Gearcase (Spec A-E)



REF NO.	PART NO.	QTY USED	PART DESCRIPTION	REF NO.	PART NO.	QTY USED	PART DESCRIPTION
1		1	Gearcase (Includes Parts Marked *)	18	185-6490	1	Bolt
	185-6480	1	Spec A	19	185-6491	2	Bolt
	103-0835	1	Begin Spec F	20	185-6492	1	Bolt
2	185-6481	4	*Plug	21			Stud
3	185-2124	1	*Joint, Pipe		185-6493	1	Spec A
4	185-6482	1	*Spring		185-7423	1	Begin Spec F
5	185-6483	1	*Seat, Valve	22	185-4255	1	Nut
6	185-6484	1	*Ball	23	185-6759	1	Washer, Spring
7	185-5741	1	*Cover	24			Seal, Oil
8	185-5742	1	*Bolt		185-6494	1	Spec A
9	185-5743	1	*O'Ring		185-6864	1	Begin Spec F
10	185-5869	1	*O'Ring	25	185-3080	2	O'Ring
11	185-6485	1	*Rotor Assy, Oil Pump	26	185-5869	2	O'Ring
12	185-6486	1	*Cover, Oil Pump	27			Stud
13	185-6487	5	*Screw, Countersunk Head		185-2359	2	Spec A
14			Gasket, Gearcase		185-7425	2	Begin Spec F
	185-6488	1	Spec A, B	28	185-6495	1	Cover (Spec A, B)
	185-6863	1	Begin Spec C	29	185-6496	1	Gasket (Spec A, B)
15	185-5833	3	Bolt	30	185-2388	2	Bolt (Spec A, B)
16			Bolt	31	185-5407	1	Cover, Oil Fill
	185-2394	4	Spec A, B	32	185-2349	1	O'Ring
	185-7069	4	Begin Spec C	33	185-5835	1	Filter, Oil
17	185-6665	2	Bolt	34	185-7405	1	Plug (Begin Spec C)

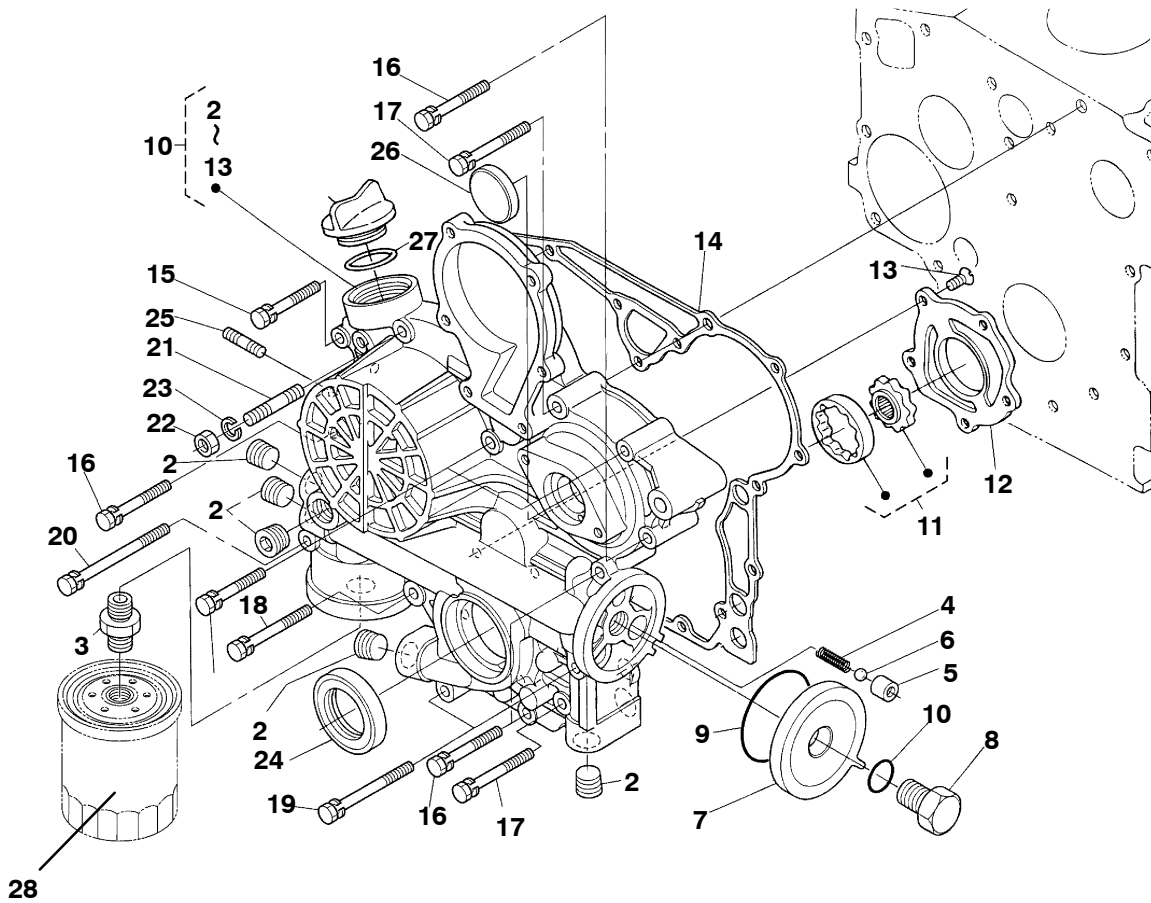
## Gearcase (Spec F)



REF NO.	PART NO.	QTY USED	PART DESCRIPTION	REF NO.	PART NO.	QTY USED	PART DESCRIPTION
1	181-9099	1	Gearcase (Includes Parts Marked *)	17	185-6489	2	Bolt
2	185-6481	5	*Plug	18	184-0038	1	Bolt
3	185-2124	1	*Joint, Pipe	19	185-6491	2	Bolt
4	185-6482	1	*Spring	20	185-6492	1	Bolt
5	185-6483	1	*Seat, Valve	21	185-7423	1	Stud
6	185-6484	1	*Ball	22	185-4255	1	Nut
7	185-5741	1	*Cover	23	185-6759	1	Washer, Spring
8	185-5742	1	*Bolt	24	185-6864	1	Seal, Oil
9	185-5743	1	*O'Ring	25	185-7425	2	Stud
10	185-5744	1	*O'Ring	26	185-7216	1	Cover, Gearcase
11	185-6485	1	*Rotor Assy, Oil Pump	27	185-5835	1	Filter, Oil
12	185-6486	1	*Cover, Oil Pump				
13	185-6487	5	*Screw, Countersunk Head				
14			Gasket, Gearcase				
	185-6863	1	Spec F				
	101-0869	1	Begin Spec G				
15	185-5833	3	Bolt				
16	185-7069	4	Bolt				

\* - Parts Included in Gearcase.

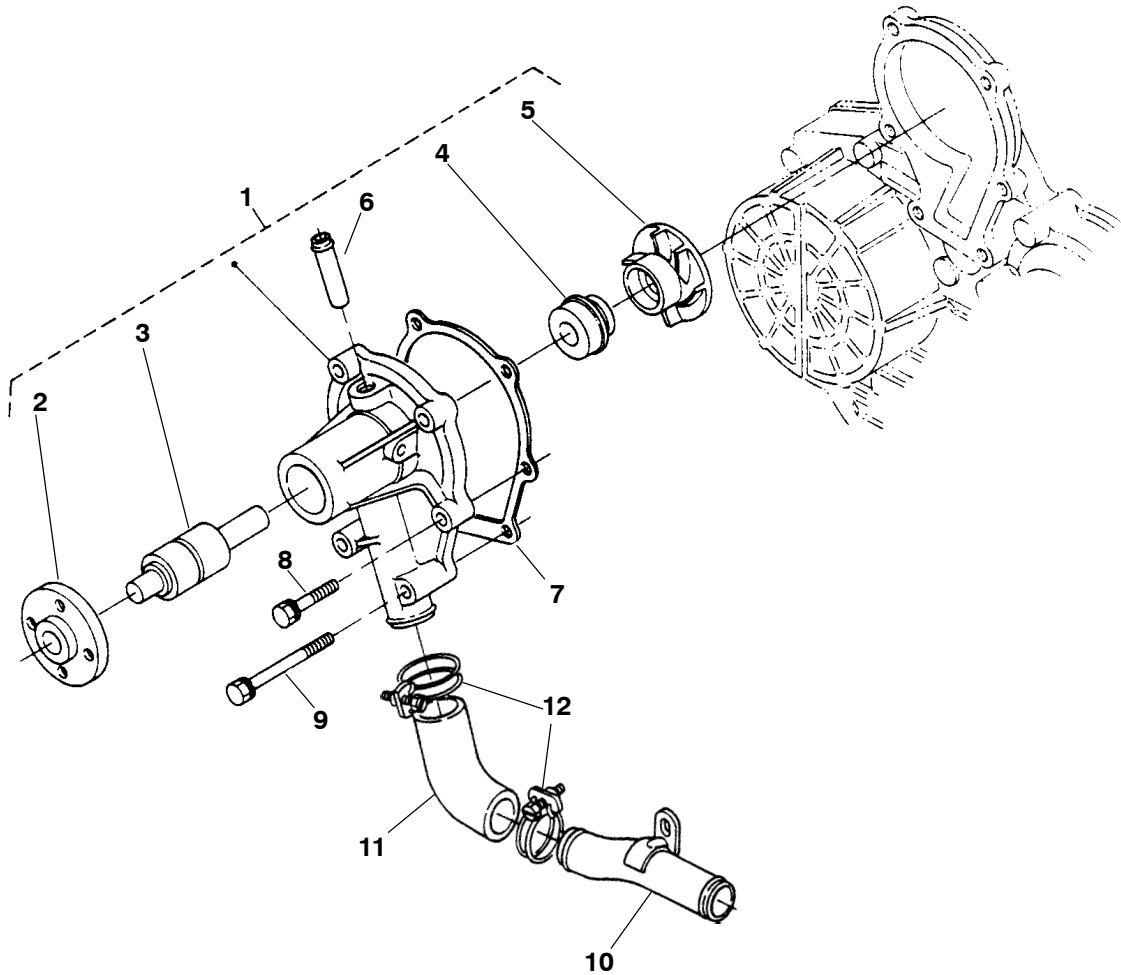
## Gearcase (Begin Spec G)



REF NO.	PART NO.	QTY USED	PART DESCRIPTION	REF NO.	PART NO.	QTY USED	PART DESCRIPTION
1	181-9099	1	Gearcase (Includes Parts Marked *)	17	185-6665	2	Bolt
2	185-6491	5	*Plug	18	185-6490	1	Bolt
3	185-2124	1	*Joint, Pipe	19	185-6491	2	Bolt
4	185-6482	1	*Spring	20	185-6492	1	Bolt
5	185-6483	1	*Seat, Valve	21	185-7423	1	Stud
6	185-6484	1	*Ball	22	181-9013	1	Nut
7	185-5741	1	*Cover	23	185-6759	1	Washer, Spring
8	185-5742	1	*Bolt	24	185-6864	1	Seal, Oil
9	185-5743	1	*O'Ring	25	185-7425	2	Stud
10	185-5744	1	*O'Ring	26	185-7216	1	Cover, Gearcase
11	185-6484	1	*Rotor Assy, Oil Pump	27	185-7426	2	*O'Ring
12	185-6486	1	*Cover, Oil Pump	28	185-5835	1	Filter, Oil
13	185-6487	5	Screw, Countersunk Head				
14	101-0869	1	Gasket, Gearcase				
15	185-5833	3	Bolt				
16	185-7069	4	Bolt				

\* - Parts Included in Gearcase.

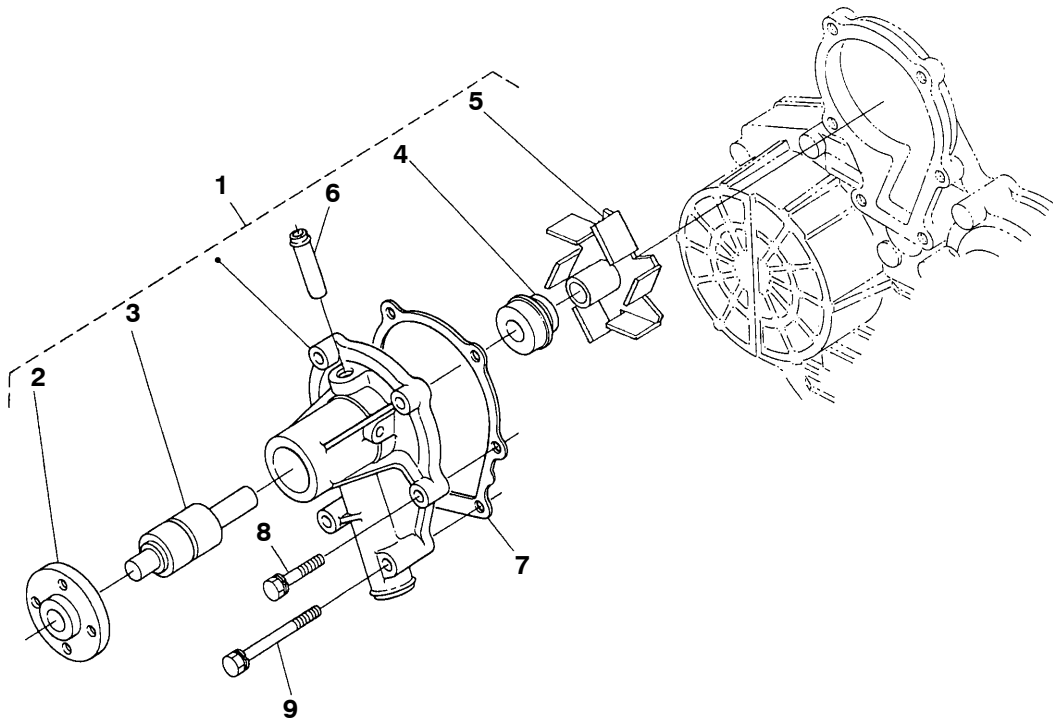
# Water Pump



REF NO.	PART NO.	QTY USED	PART DESCRIPTION	REF NO.	PART NO.	QTY USED	PART DESCRIPTION
1	185-6671	1	Pump Assy, Water (Includes Parts Marked *)	10	185-6457	1	Pipe, Water
2	185-6672	1	*Flange, Water Pump	11	185-6678	1	Pipe, Water Spec A-G
3	185-6673	1	*Bearing		A048A843	1	Spec H
4	185-5714	1	*Seal Assy, Mechanical	12			Clamp
5	185-6674	1	*Impeller, Water Pump		185-6679	2	Spec A-E
6	185-5719	1	*Pipe, Water Return			2	Spec J
7	185-7299	1	Gasket, Water Pump				
8	185-6677	4	Bolt				
9	185-5745	2	Bolt				

\* - Parts Included in Water Pump Assy.

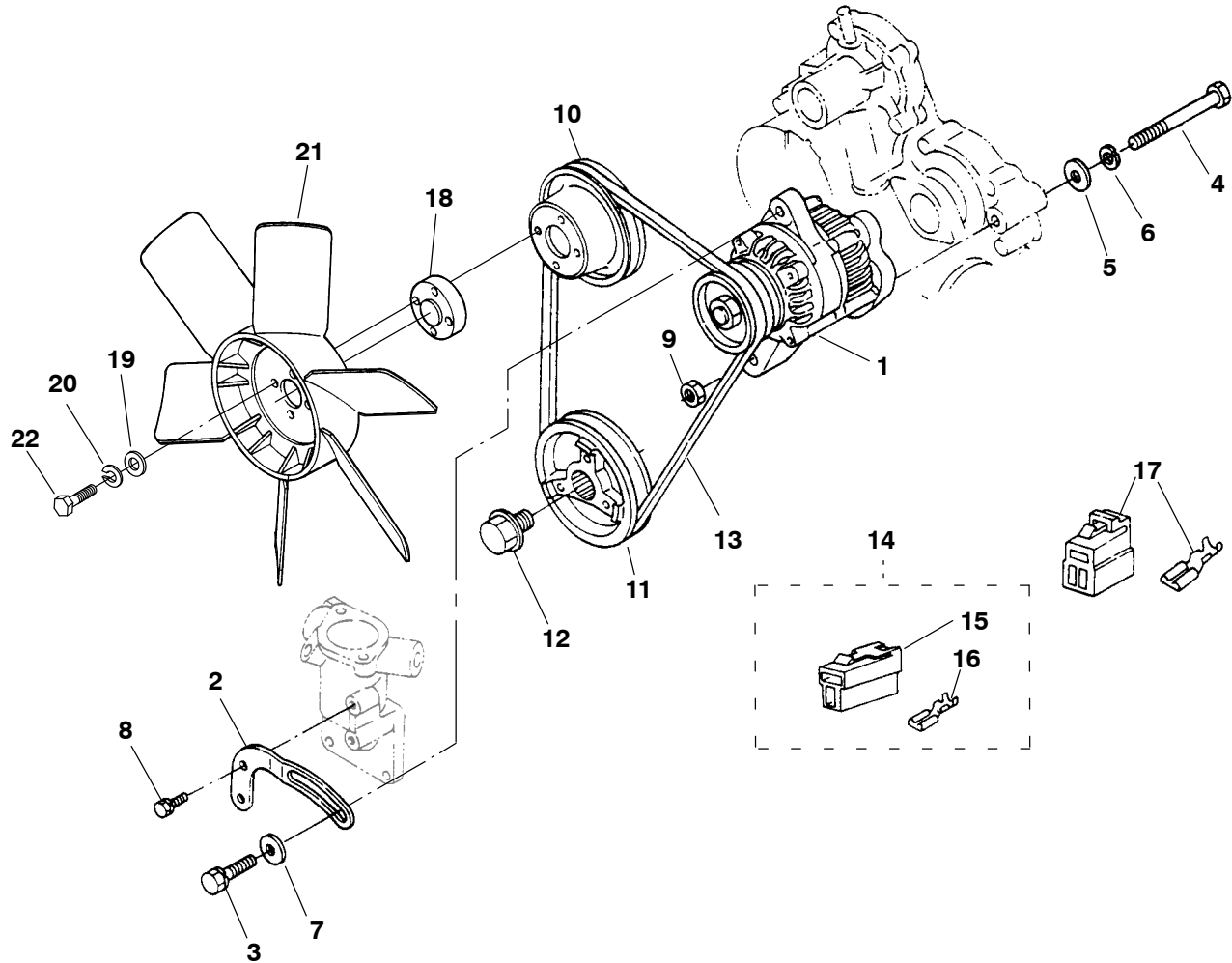
## Water Pump (Begin Spec F)



REF NO.	PART NO.	QTY USED	PART DESCRIPTION	REF NO.	PART NO.	QTY USED	PART DESCRIPTION
1	181-9108	1	Pump Assy, Water (Includes Parts Marked *)	7	185-7299	1	Gasket, Water Pump
2	185-6672	1	*Flange, Water Pump	8	185-6677	4	Bolt
3	181-9116	1	*Bearing	9	181-9007	2	Bolt
4	181-9233	1	*Seal Assy, Mechanical				
5	181-9115	1	*Impeller, Water Pump				
6	185-5719	1	*Pipe, Water Return				

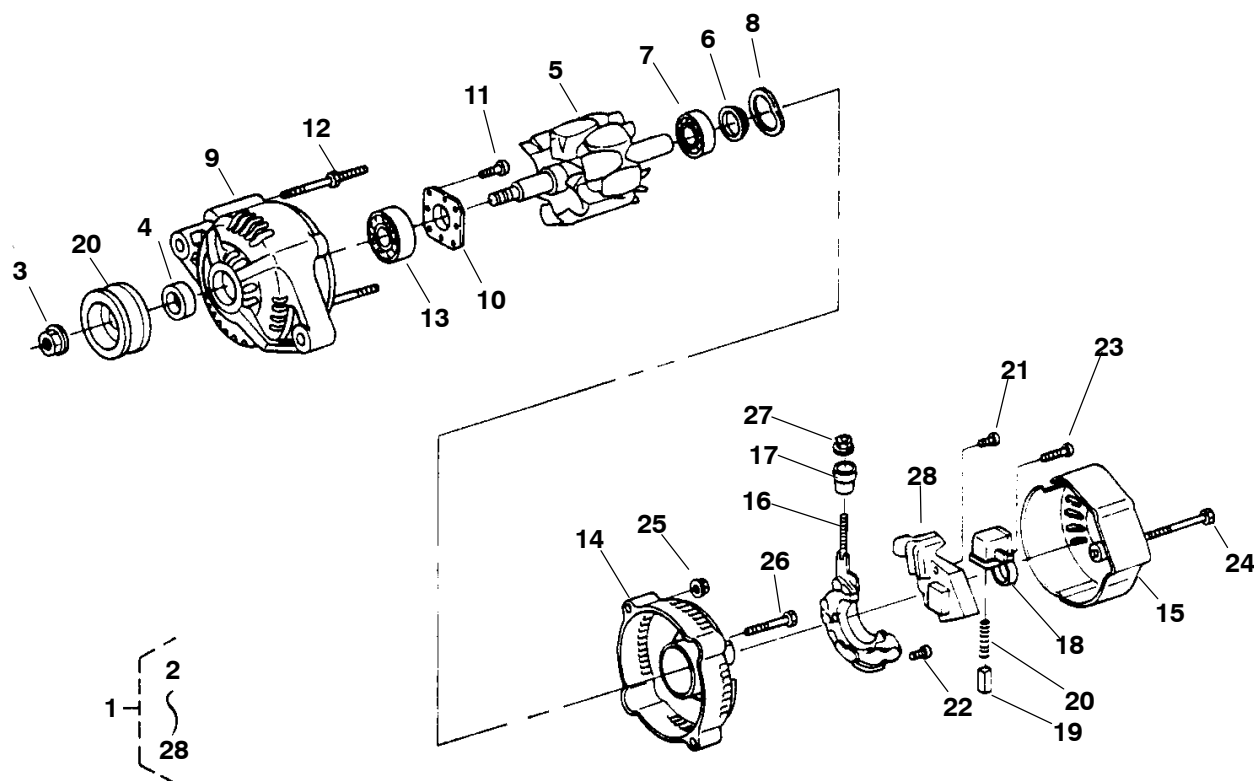
\* - Parts Included in Water Pump Assy.

# Alternator



REF NO.	PART NO.	QTY USED	PART DESCRIPTION	REF NO.	PART NO.	QTY USED	PART DESCRIPTION
1	185-6627	1	Alternator (12V, 30A) (See Separate Page for Components)	15	185-6440	1	Connector
2	185-6628	1	Stay, Alternator	16	185-6347	7	Terminal
3	185-2403	1	Bolt	17	185-6634	1	Coupler Assy, Lock
4	185-6629	1	Bolt	18	185-6680	1	Collar, Fan
5	185-6630	1	Washer, Plain	19	526-0018	4	Washer, Flat (1/4")
6	185-6785	1	Washer, Spring	20	850-2006	4	Washer, Lock (M6)
7	185-6786	1	Washer, Plain	21			Fan
8	185-2388	1	Bolt		130-4121	1	Specs 11323, 11379, 11435, 61730, 61732 61996, 66046 (Suction)
9	185-5445	1	Nut		130-4122	1	Specs 11322, 61733(Pusher)
10	185-6631	1	Pulley, Fan		130-4556		Specs 11322, 11378, 11473, 11509, 61731, 61733 (Pusher)
11	185-6632	1	Pulley, Fan Drive	22	718-1018	4	Screw, Hex Head Cap (M6 x 1 x 12mm)
12	185-6633	1	Bolt				
13	185-5446	1	Belt, Fan				
14	185-5447	1	Coupler Assy (Includes Connector and Terminal)				

## Alternator Components

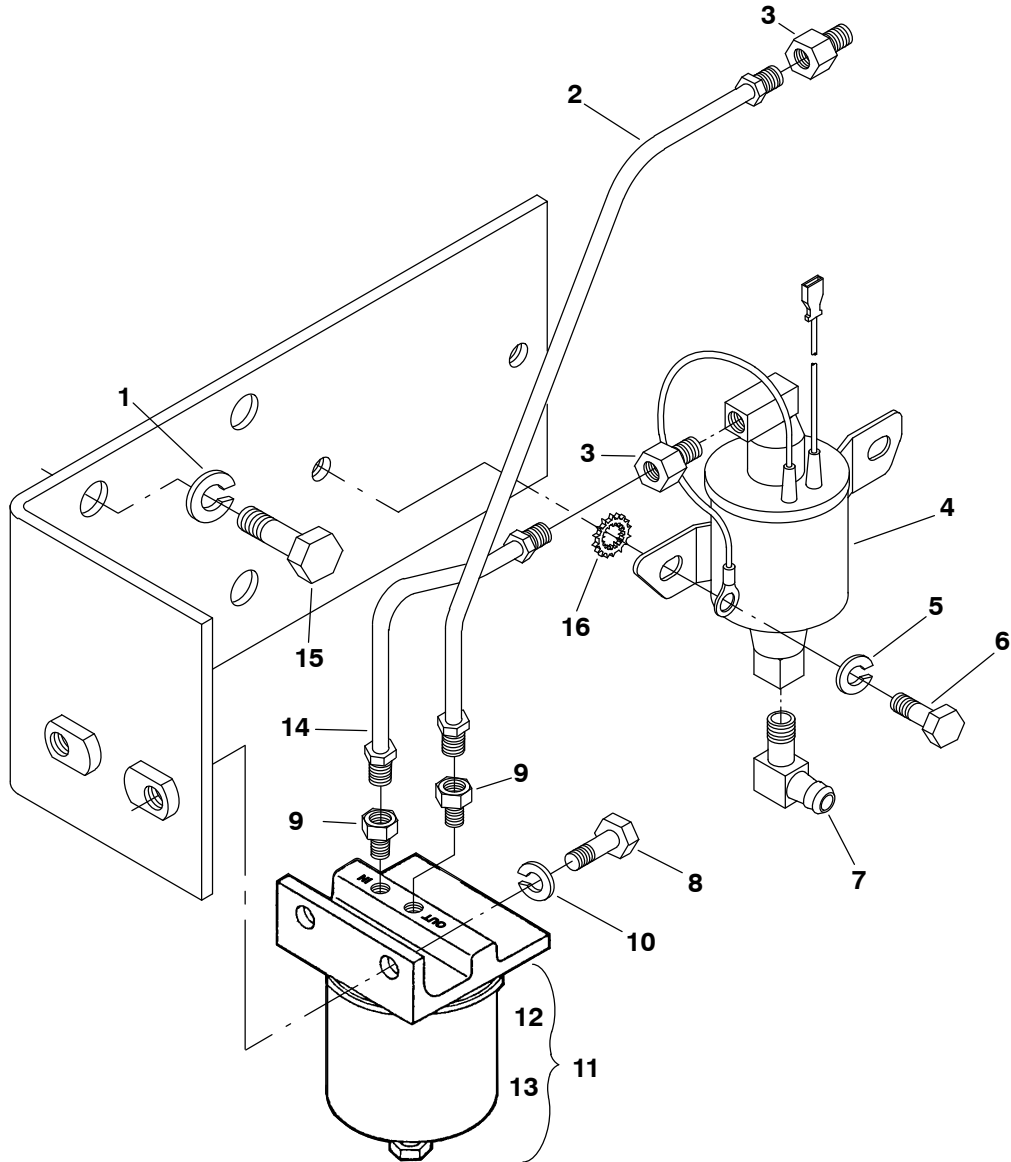


REF NO.	PART NO.	QTY USED	PART DESCRIPTION	REF NO.	PART NO.	QTY USED	PART DESCRIPTION
1	185-6627	1	Alternator Assy (Includes Parts Marked *)	185-6190		1	Spec A-H
2	185-5767	1	*Pulley, Alternator	A048A841		1	Spec J
3	185-5768	1	*Nut	17	185-6191	1	*Bushing, Insulation
4	185-5769	1	*Collar	18	185-5782	1	*Holder, Brush
5	185-5770	1	*Rotor	19	185-5783	2	*Brush
6	185-5771	1	*Cover, Bearing	20	185-5784	2	*Spring, Brush
7	185-5772	1	*Bearing, Ball	21	185-5785	2	*Screw, Round Head
8	185-6187	1	*Washer, Thrust	22	185-5786	6	*Screw, Round Head
9	185-5773	1	*Frame, Drive End	23	185-5787	1	*Screw Round, Head
10	185-5774	1	*Plate, Retainer	24	185-5788	3	*Bolt
11	185-5775	4	*Screw, Round Head	25	185-5789	2	*Nut
12	185-7056	2	*Bolt, Thru	26	185-5790	2	*Bolt
13	185-5777	1	*Bearing, Ball	27	185-2961	1	*Nut
14	185-6188	1	*Frame, End	28	185-5791	1	*Regulator
15	185-6189	1	*Cover, End				
16		1	*Rectifier Assy				

\* - Parts Included in Alternator Assy.

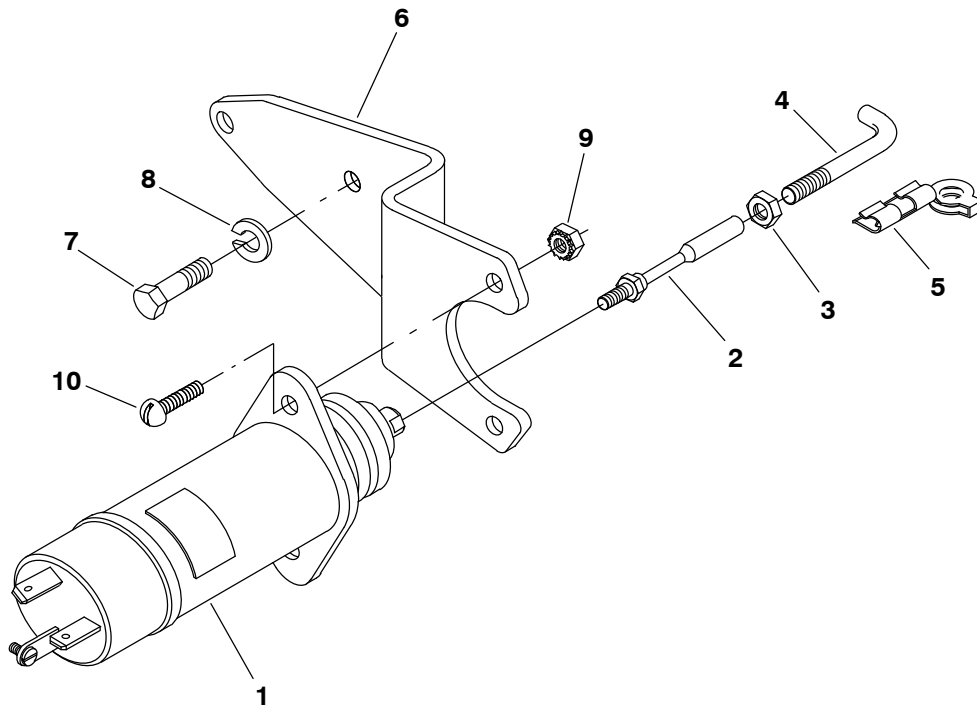


## Fuel Pump



REF NO.	PART NO.	QTY USED	PART DESCRIPTION	REF NO.	PART NO.	QTY USED	PART DESCRIPTION
1	850-2010	4	Washer, Lock (M10)	9	502-0033	2	Connector, Inverted Male
2	149-2428	1	Line, Fuel Filter	10	850-2008	2	Washer, Lock (M8)
3	502-0003	1	Adapter, Reducing (1/4 x 1/8)	11	149-2100	1	Filter, Fuel (Includes Aluminum Base, Element and Drain Plug)
4	149-2548	1	Pump, Electric Fuel (E5)	12	149-2106	1	Element, Fuel Filter
5	850-2006	2	Washer, Lock (M6)	13	502-0028	1	Plug, Drain
6	800-2029	2	Screw, Hex Head Cap (M6 x 1 x 12mm)	14	149-2429	1	Line, Fuel Pump
7	502-0313	1	Elbow, 90° Hose (1/8 NPT x 1/4 I.D.)	15	800-3004	4	Screw, Hex Head Cap (M10 x 1.25 x 20mm)
8	800-2056	2	Screw, Hex Head Cap (M8 x 1.25 x 16mm)	16	856-0006	1	Washer, EIT (1/4")

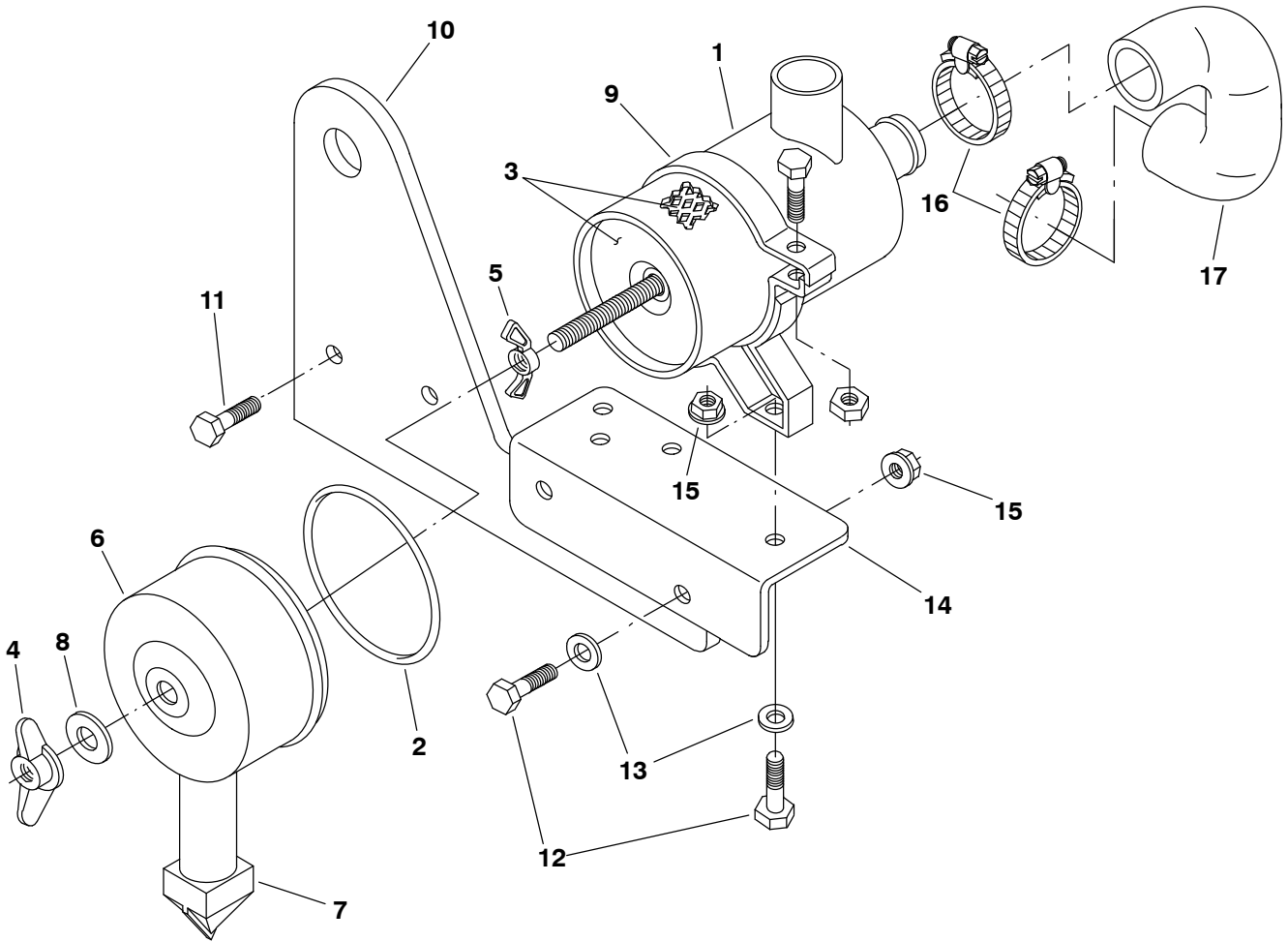
## Stop Solenoid



REF NO.	PART NO.	QTY USED	PART DESCRIPTION	REF NO.	PART NO.	QTY USED	PART DESCRIPTION
1	307-2546	1	Solenoid, Stop (K1)	9	870-0131	2	Nut, ET Hex (#10-32)
2	150-1733	1	Joint, Ball	10	813-0100	2	Screw, Round Head Machine (#10-32 x 1/2")
3	115-0025	2	Nut, Hex (1/4-28UNF)				
4	150-2555	1	Link, Solenoid				
5	306-4081	1	Clip, Rod End				
6	150-2554-02	1	Bracket, Solenoid				
7	800-2029	2	Screw, Hex Head Cap (M6 x 1 x 12mm)				
8	850-2006	2	Washer, Lock (M6)				

\* - Parts included in Assembly.

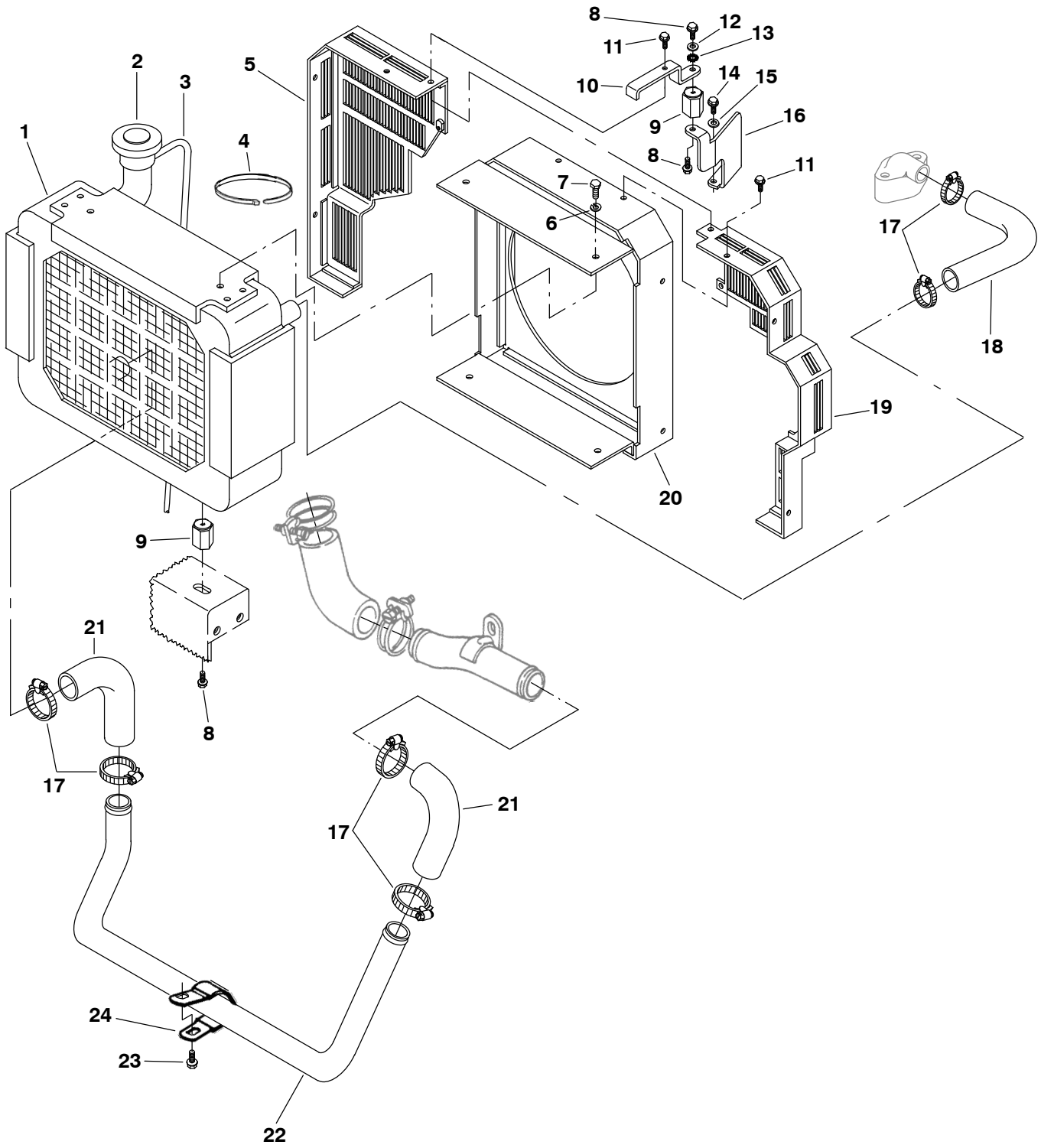
# Air Cleaner



REF NO.	PART NO.	QTY USED	PART DESCRIPTION	REF NO.	PART NO.	QTY USED	PART DESCRIPTION
1	140-2841	1	Cleaner Assy, Air (Includes Parts Marked #)	12	718-1036	4	Screw, Hex Head Cap (M8 x 1.25 x 20mm)
2	140-2848	1	#O'Ring	13	526-2100	6	Washer, Flat (M8)
3	140-2842	1	#Element, Air Cleaner	14	140-2864-02	1	Bracket, Air Cleaner
4	140-2847	1	#Nut, Wing	15	870-2055	4	Nut, Flange Locking (M8 x 1.25)
5	140-2846	1	#Nut, Wing	16	503-0365	2	Clamp, Hose
6	140-2845	1	#Cover, Air Cleaner	17	503-1450	1	Hose, Air Cleaner
7	140-2843	1	#Valve, Dust Ejector				
8	140-2844	1	#Washer				
9	140-2850	1	Band, Air Cleaner				
10	140-2863-02	1	Bracket, Lifting				
11	718-1035	2	Screw, Head Hex Cap (M8 x 1.25 x 16mm)				

# - Parts Included in Air Cleaner Assy.

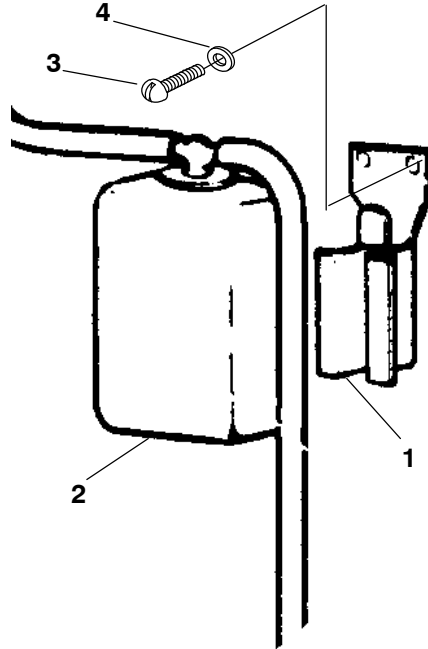
# Cooling System



## Cooling System

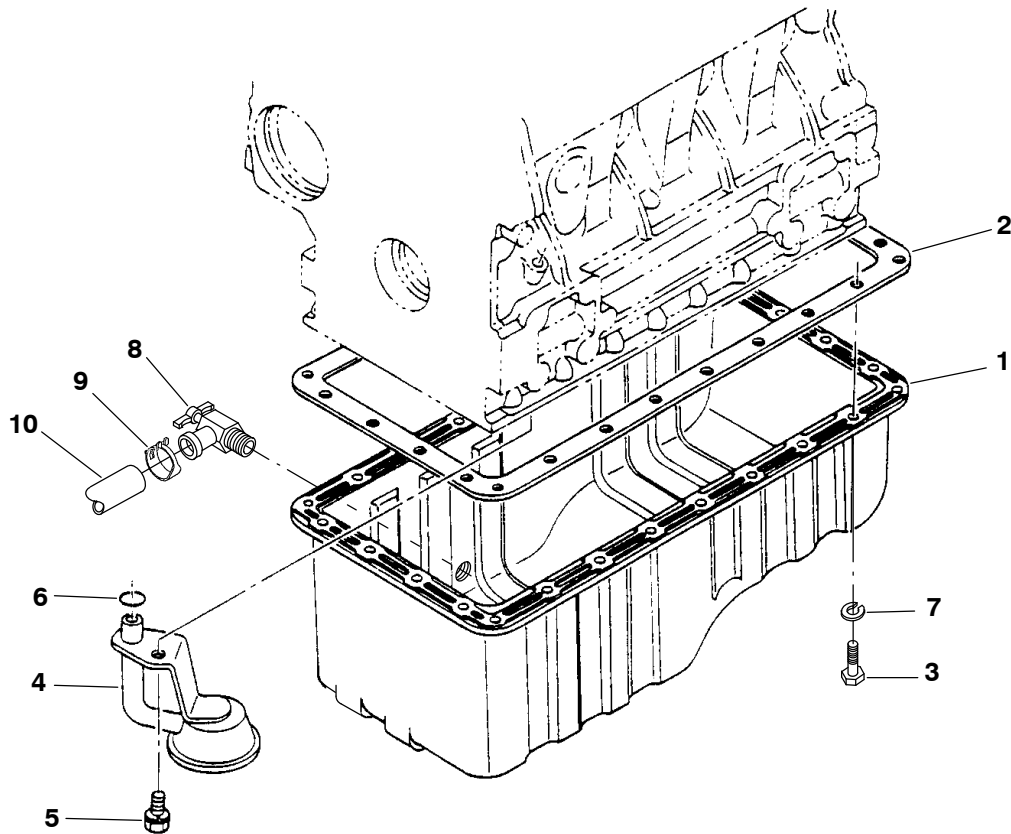
REF NO.	PART NO.	QTY USED	PART DESCRIPTION	REF NO.	PART NO.	QTY USED	PART DESCRIPTION
1			Radiator	13	856-0008	1	Washer, EIT Lock (5/16")
	130-4213	1	Spec A	14	821-2045	2	Screw, Lock (Flange) (M8 x 1.25 x 16mm)
	130-4555	1	Begin Spec B				
2	130-1788	1	Cap, Radiator	15	526-2100	4	Washer, Flat (M8)
3	503-0276	1	Hose, 30" Overflow	16	130-4185-02	1	Bracket, Radiator Support
4	332-0941	1	Tie, Cable	17	503-0189	4	Clamp, Hose
5	130-4182-02	1	Guard, Right Belt	18	503-1861	1	Hose, Upper Radiator
6	850-2010	2	Washer, Lock (M10)	19	130-4179-02	1	Guard, Left Belt
7	821-0028	2	Screw, Hex Head Cap (3/8-16 x 1/2")	20	130-4260-02	1	Shroud, Fan
8	821-0014	4	Screw, Hex Flange-Locking (5/16-18 x 1/2")	21			Hose, Radiator Elbow (90°)
					503-1884	2	Spec A
9	402-0070	3	Isolator, Vibration		503-2000	1	Begin Spec B
10	130-4259-02	1	Support, Radiator Mounting	22	130-4212-02	1	Tube, Radiator (Spec A)
11	821-0010	8	Screw, Hex Flange-Locking (1/4-20 x 1/2")	23	821-0016	1	Screw, Lock Head Flange (5/16-18 x 3/4") (Spec A)
12	526-0029	1	Washer, Flat (3/8")	24	332-1024	1	Clamp, Steel Loop (Spec A)

## Coolant Recovery Tank



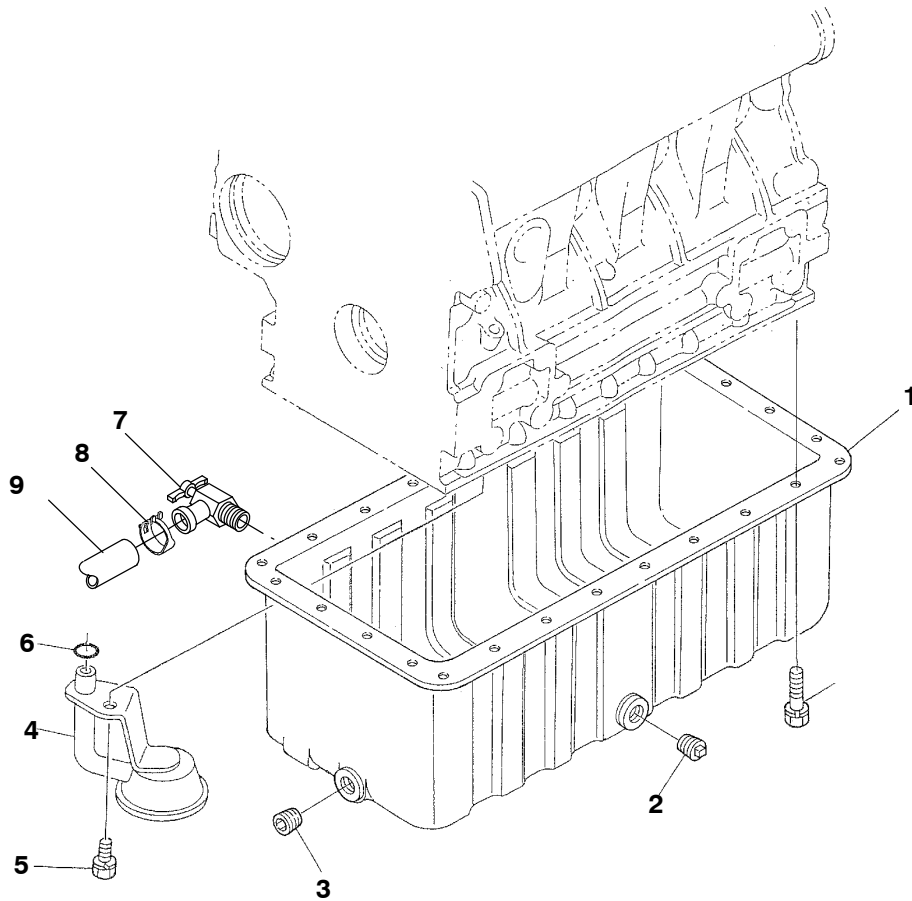
REF NO.	PART NO.	QTY USED	PART DESCRIPTION	REF NO.	PART NO.	QTY USED	PART DESCRIPTION
	130-2781	1	Kit, Overflow Recovery Tank (One Quart)	3	808-0054	2	Screw, Round Head Sheet Metal (14 x 7/8")
1	130-2780	1	Bracket, Tank	4	526-0021	2	Washer, Flat
2	130-2779	1	Tank, Radiator Recovery Water				

## Oil Pan (Spec A-E)



REF NO.	PART NO.	QTY USED	PART DESCRIPTION	REF NO.	PART NO.	QTY USED	PART DESCRIPTION
1	102-1443	1	Pan, Oil	6	185-3078	1	O'Ring
2	185-5478	1	Gasket, Oil Pan	7	850-2006	26	Washer, Lock (M6)
3	718-1020	26	Screw, Hex Head Cap (M6 x 1 x 16mm)	8	504-0176	1	Valve, Oil Drain Shutoff
4	185-6473	1	Tube, Oil Pickup	9	503-0976	1	Clamp, Hose
5	185-2563	1	Bolt	10	503-0227	1	Hose, Oil Drain (2')

## Oil Pan (Begin Spec F)

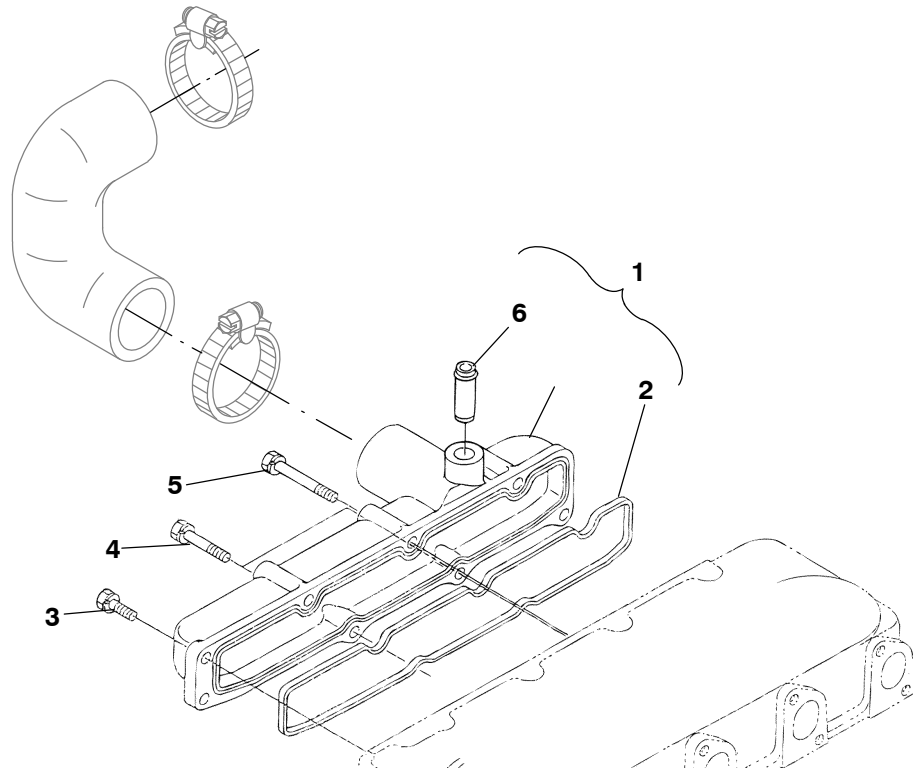


REF NO.	PART NO.	QTY USED	PART DESCRIPTION	REF NO.	PART NO.	QTY USED	PART DESCRIPTION
1	102-1528	1	Pan, Oil	5	185-2563	1	Bolt
2	185-5826	1	Plug Spec F	6	185-7421	1	O'Ring
	517-0441	1	Begin Spec G	7	504-0176	1	Valve, Oil Drain Shutoff
3	102-1511	1	Plug	8	503-0976	1	Clamp, Hose
4	120-1362	1	Filter, Oil Spec F	9	503-3045-01	1	Hose, Oil Drain (2') Begin Spec G
	123-2414	1	Begin Spec G				

\* - No oil pan gasket available for these specs, use RTV sealant.

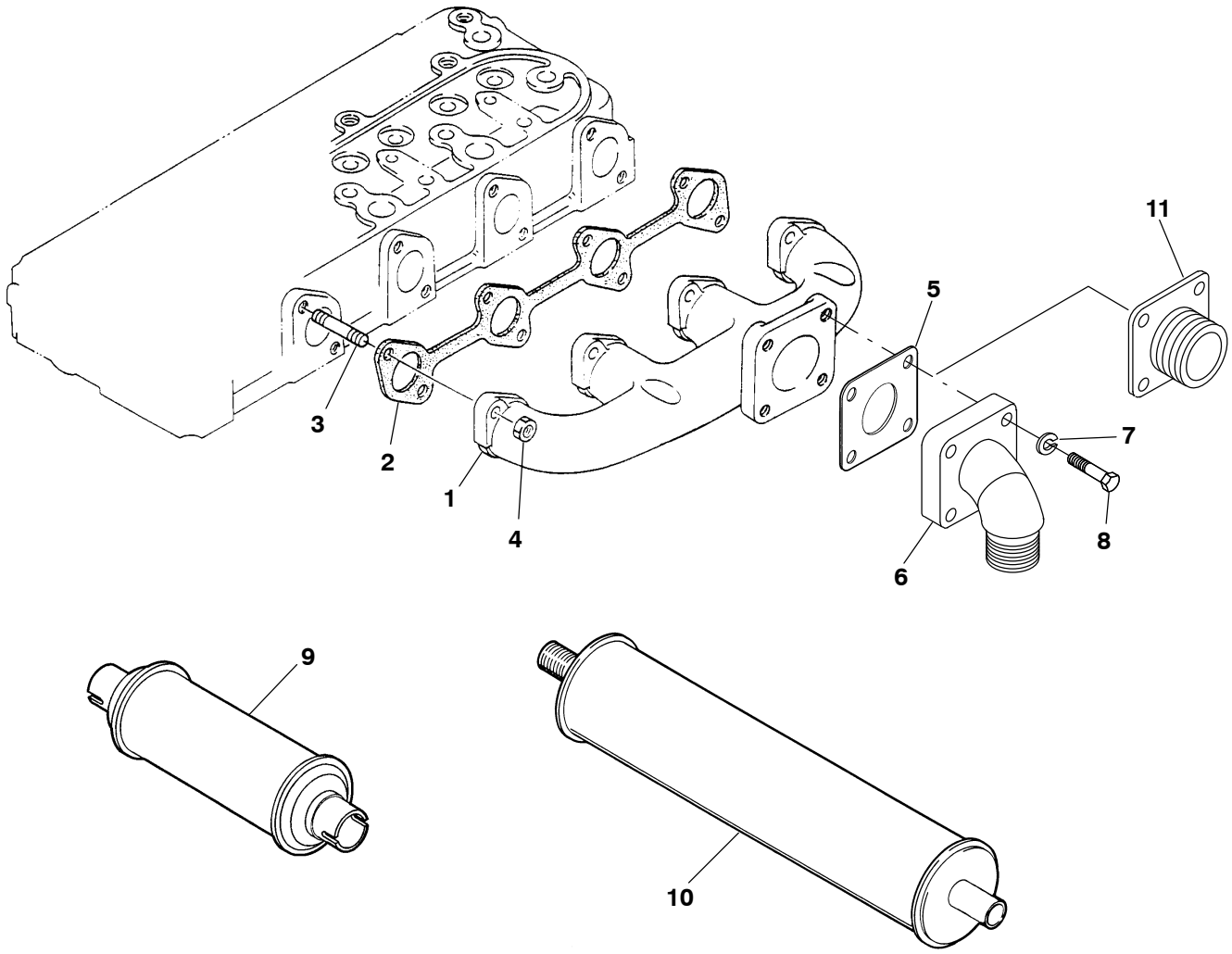


## Intake Manifold



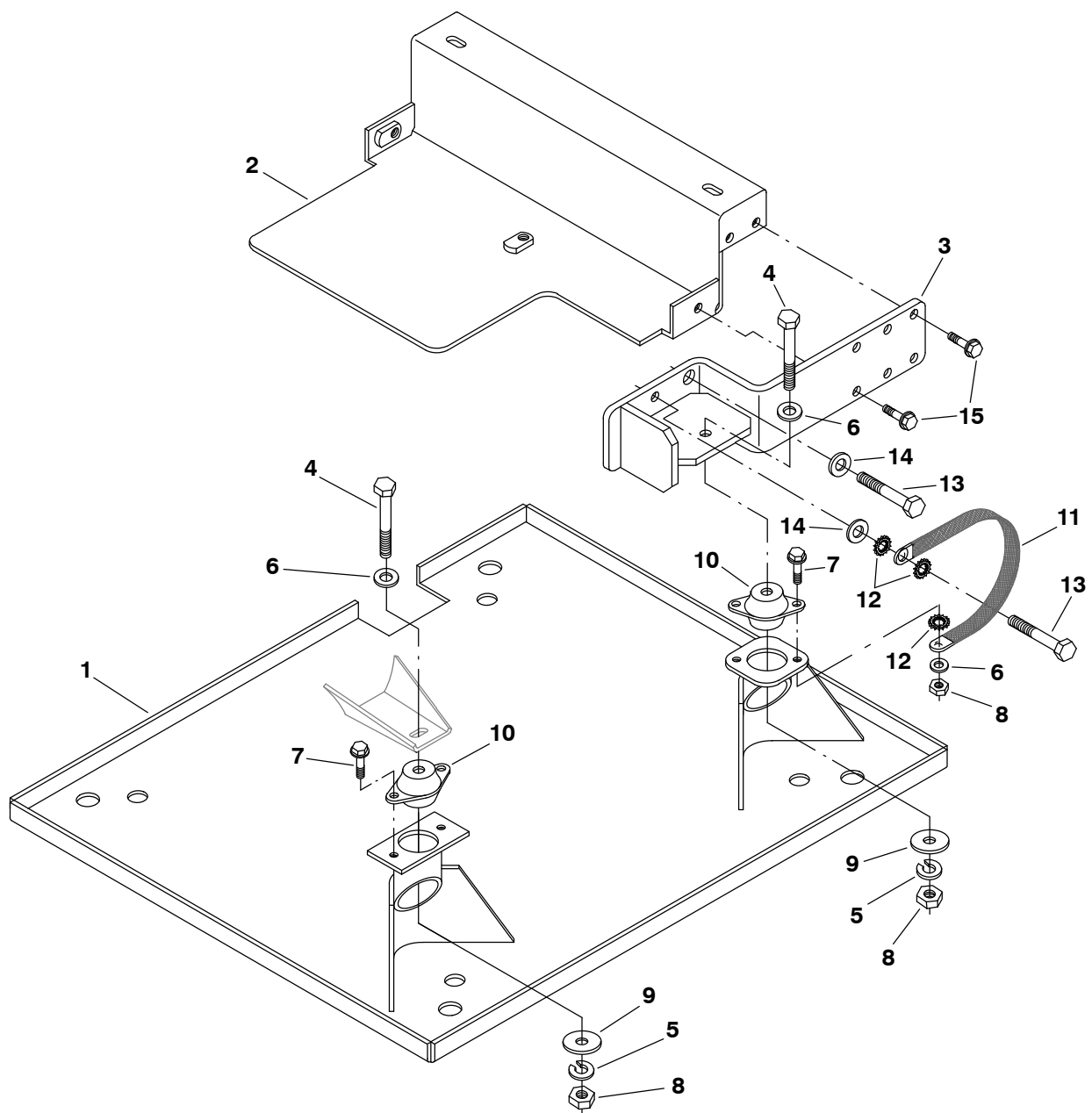
REF NO.	PART NO.	QTY USED	PART DESCRIPTION	REF NO.	PART NO.	QTY USED	PART DESCRIPTION
1	185-6700	1	Manifold, Inlet	4	185-6677	2	Screw
	154-3204	1	Spec A-E	5	185-7069	3	Screw, Hex Head
			Begin Spec F	6	185-6499	1	Joint, Breather Pipe
2	185-6701	1	Gasket, Inlet Manifold				(Begin Spec F)
3	185-2389	3	Screw, Hex Head (M6 x 18mm)				

# Exhaust Manifold



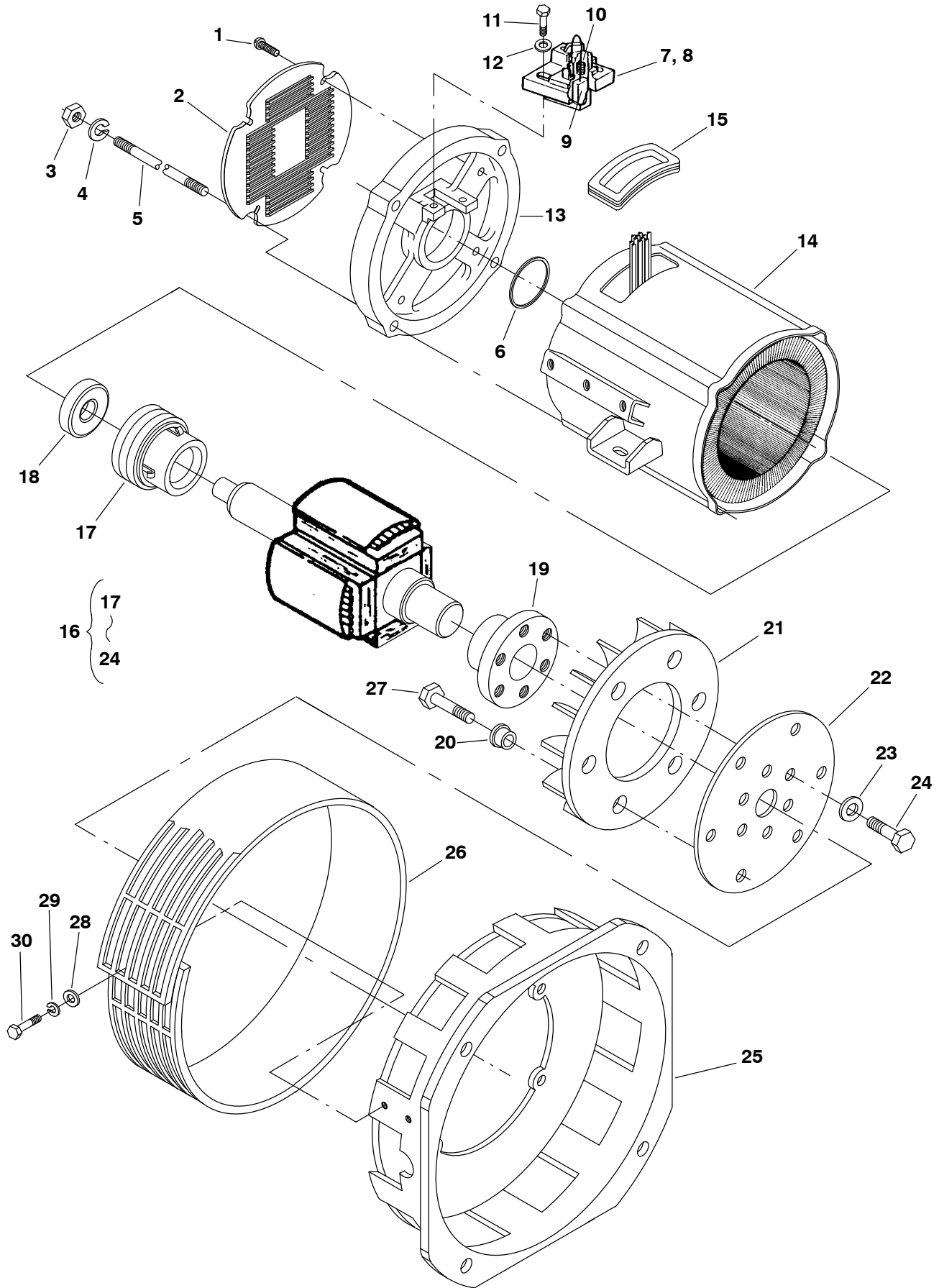
REF NO.	PART NO.	QTY USED	PART DESCRIPTION	REF NO.	PART NO.	QTY USED	PART DESCRIPTION
1			Manifold, Exhaust	5	185-6853	1	Gasket, Exhaust
	185-6696	1	Spec A	6	155-2666	1	Elbow, Exhaust
	181-9237	1	Begin Spec F	7	850-2008	4	Washer, Lock (M8)
2			Gasket, Exhaust Manifold	8	725-1052	4	Screw, Hex Head Cap (M8 x 30mm)
	185-6854	1	Spec A	9	155-2653	1	Resonator, Exhaust
	185-6697	1	Begin Spec F	10	155-2262	1	Muffler
3			Stud	11	154-2852	1	Adapter, Exhaust Flange (to 1-1/4 Pipe Thread)
	185-7110	8	Spec A	12	155-2124	1	Hanger, 1-1/2" ID (Not Shown)
	185-6698	8	Begin Spec F				
4	185-6699	8	Nut				

## Drip Pan



REF NO.	PART NO.	QTY USED	PART DESCRIPTION	REF NO.	PART NO.	QTY USED	PART DESCRIPTION
1	403-3522-02	1	Pan, Drip	9	526-0324	4	Washer, Flat (1.88"OD x .405"D x 1345"THK)
2	130-4261-02	1	Bracket, Radiator Mounting	10	402-0653	4	Isolator, Vibration
3	403-3584-02	2	Bracket, Engine/Radiator Mounting	11	337-0081	1	Strap, Bond
4	800-0057	4	Screw, Hex Head Cap (3/8-16 x 2.75")	12	856-0010	3	Washer, EIT Lock (3/8")
5	850-2010	4	Washer, Lock (M10)	13	815-0585	8	Screw, Hex Head Cap (M10 x 1.25 x 20mm)
6	526-0030	5	Washer, Flat (3/8")	14	740-1008	8	Washer, Lock (M10)
7	821-0029	8	Screw, Lock Head (3/8-16 x 3/4")	15	821-0014	6	Screw, Lock Head (5/16 - 18 x 1/2")
8	862-0003	5	Nut, Hex (3/8-16)				

# Generator Spec A-J

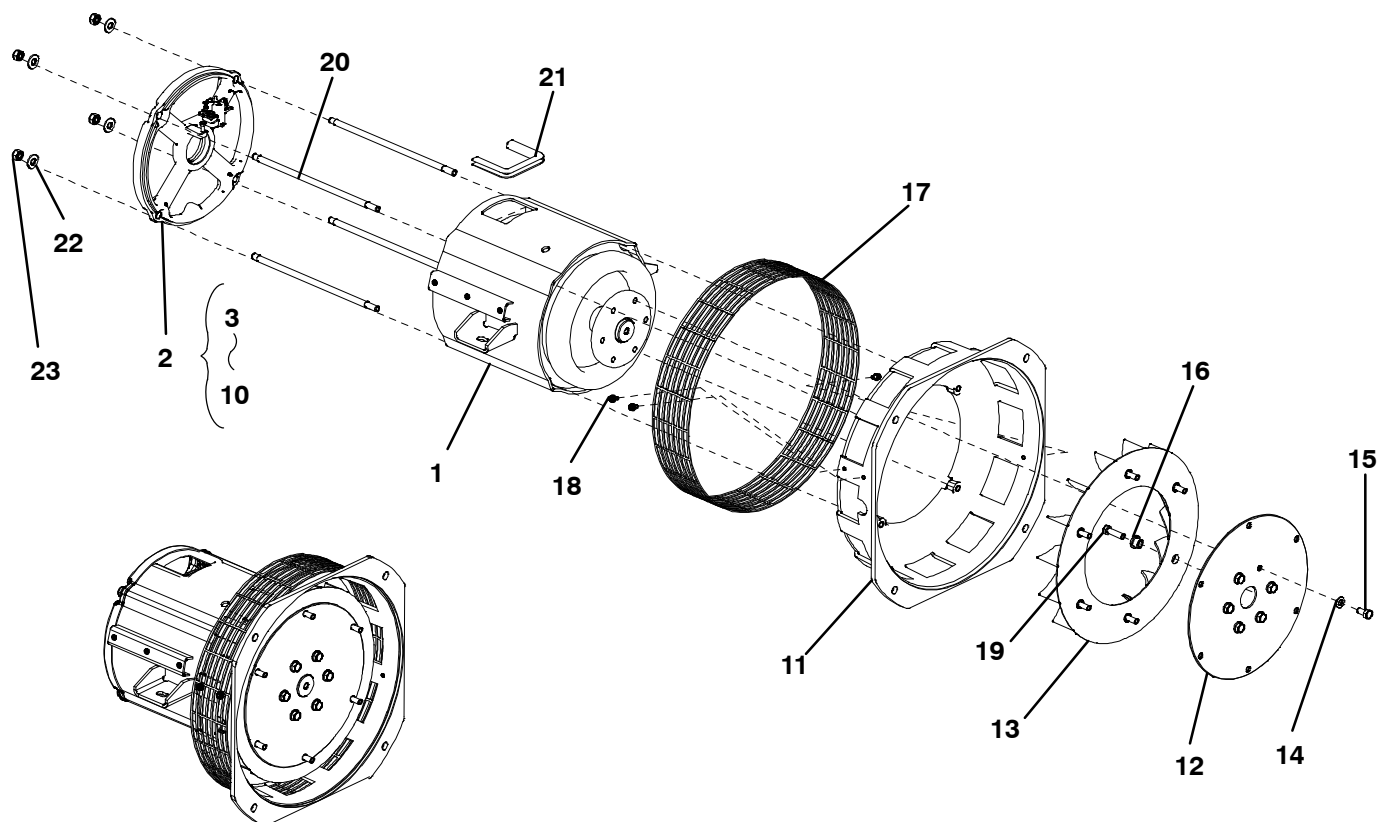


## Generator Spec A-J

REF NO.	PART NO.	QTY USED	PART DESCRIPTION	REF NO.	PART NO.	QTY USED	PART DESCRIPTION
1	815-0810	4	Screw, Round Head Machine (M4 x .7 x 10mm)	16			Rotor Assy, Generator (Includes Parts Marked *)
2	211-0448-03	1	Cover, Endbell		201-3506-03	1	<b>1 Phase 50Hz</b> 110/220 142 Stack
3	862-0003	4	Nut, Hex (3/8-16)				<b>1 Phase 60Hz</b>
4	850-0114-07	4	Washer, Flat (.375")				100/200 117 Stack (Order Generator A053S053)
5			Stud		201-3506-02	1	120/240 117 Stack (Order Generator A053S053)
	520-1000-02	4	Stack 117				<b>3 Phase 50Hz</b>
	520-1000-03	4	Stack 142		201-3506-02	1	Reconnect 142 Stack (Order Generator A059E381)
6	509-0196	1	O'Ring				<b>3 Phase 60Hz</b>
7	212-1285-S0	1	Block Assy, Brush (Includes Block, Brushes, and Spring)		201-3506-03	1	120/240 142 Stack (Order Generator A053S170)
8	212-1286-S0	1	Block, Brush (With Terminal)				
9	214-0103	2	Brush, Generator				
10	212-1276-03	2	Spring, Generator Brush		201-3506-03	1	
11	800-2008	2	Screw, Hex Head Machine (M5 x .8 x 16mm)	17	204-0134	1	*Ring, Collector
12	526-0399-56	2	Washer, Flat (M5)	18	510-0207	1	*Bearing, Ball
13	211-0447	1	Endbell	19	232-3753	1	*Hub, Drive
14			Stator, Generator	20	232-3296	6	*Spacer, Fan
			<b>1 Phase 50Hz</b>	21	205-0220	1	*Fan, Generator
	220-4434-07	1	110/220 142 Stack	22			*Disc, Generator Drive
			<b>1 Phase 60Hz</b>		232-3752	1	32mm Center Hole
	220-4434-04	1	100/200 117 Stack (Order Generator A053S053)		232-3915	1	35mm Center Hole
	220-4434-03	1	120/240 117 Stack (Order Generator A053S053)	23	526-2100	6	*Washer, Flat (M8)
			<b>3 Phase 50Hz</b>	24	800-2056	6	*Screw, Hex Head Cap (M8 x 1.25 x 16mm)
	220-4395-04	1	142 Stack (Order Generator A059E381)	25	231-0347	1	Adapter, Generator
			<b>3 Phase 60Hz</b>	26	232-3755-02	1	Guard, Fan
	220-4395-03	1	120/240 142 Stack (Order Generator A053S170)	27	800-2515	6	Screw, Hex Head Cap (M8 x 1.25 x 30mm)
15	508-1049-02	1	Edging	28	526-2080	3	Washer, Flat (M6)
				29	850-2005	3	Washer, Lock (M5)
				30	800-2006	3	Screw, Hex Head Cap (M5 x .8 x 14mm)

\* - Parts Included in Generator Rotor Assy.

## Generator Begin Spec K



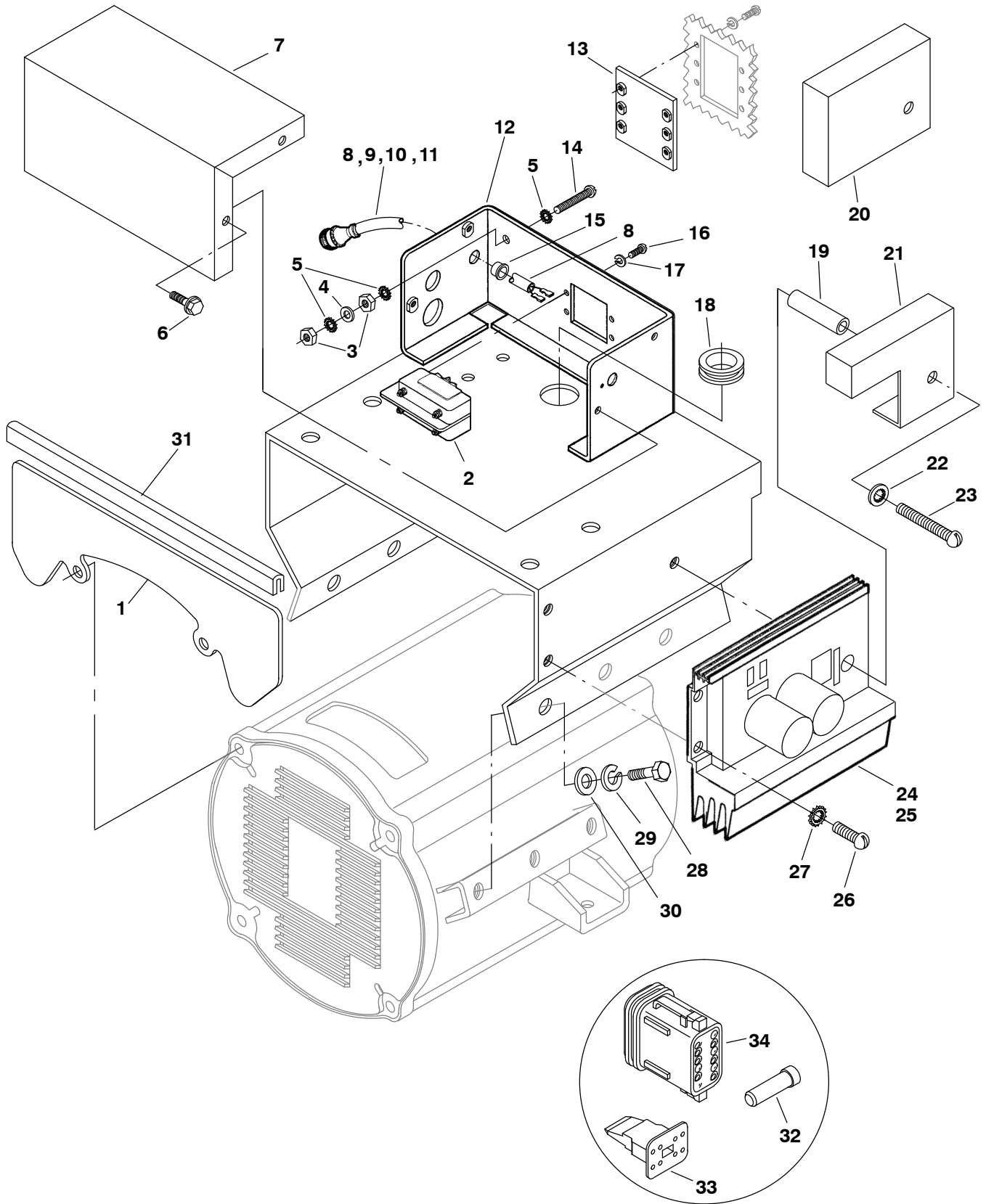
REF NO.	PART NO.	QTY USED	PART DESCRIPTION	REF NO.	PART NO.	QTY USED	PART DESCRIPTION
1			Generator	13	205-0220	1	Fan
	A053S053	1	<b>1 Phase 60Hz</b>	14	526-2100	6	Washer, Flat
	A053S170	1	<b>3 Phase 60Hz</b>	15	800-2056	6	Screw, Hex Head
	A059E381	1	<b>3 Phase 50Hz</b>	16	232-3296	6	Spacer
2	211-0462	1	Endbell Assy, Generator	17	232-3755-02	1	Guard, Fan
3	211-0447	1	*Endbell	18	821-0004	3	Screw, Locking
4	212-1285	1	*Block Assy, Brush	19	800-2515	6	Screw, Hex Head
5	212-1286	1	*>Block, Terminal	20			Stud
6	A053W559	2	*>Block, Brush		520-1000-02	4	Stack 117
7	212-1276-03	2	*>Spring, Generator Brush		520-1000-03	4	Stack 142
8	800-0309-89	2	*Screw, Hex Head Machine (M5 x .8 x 16mm)	21	526-0029	4	Washer, Flat
9	526-0399-56	2	*Washer, Flat (M5)	22	862-0003	4	Nut Hex
10	509-0420	1	*O'Ring	23	508-1049-02	1	Edging, Chassis
11	231-0347	1	Adapter, Alternator				
12	232-4145	1	Disc, Drive				

\* - Parts Included in Endbell, Generator

> - Parts Included in Brush Block Assembly

**This Page Intentionally Left Blank.**

# AC Control



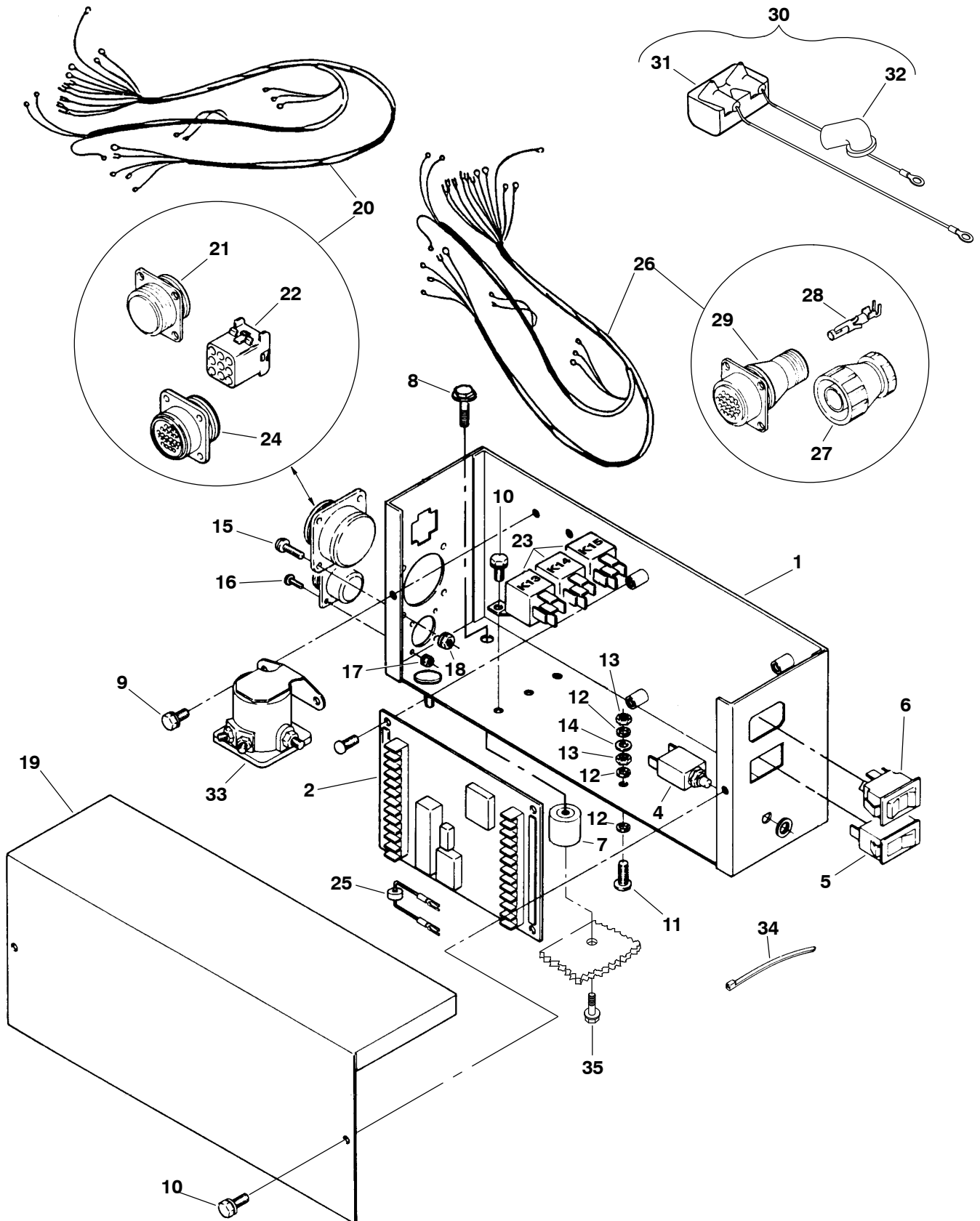


## AC Control

REF NO.	PART NO.	QTY USED	PART DESCRIPTION	REF NO.	PART NO.	QTY USED	PART DESCRIPTION
	300-4274	1	Assy, Control 2 Pole 45Amp (Includes Parts Marked ~)	14	810-0155	1	#~Screw, Round Head Brass Machine (1/4-20 x 1.25")
	300-4274-01	1	Assy, Control 2 Pole 35Amp (Includes Parts Marked ~)	15	508-0198	1	#~Bushing, Strain Relief
	300-4274-02	1	Assy, Control 2 Pole 50Amp (Includes Parts Marked ~)	16			#~ Screw, Round Head Machine (#6-32 x 3/8')
	300-4319-01	1	Assy, Control 3 Pole 35Amp (Includes Parts Marked #)		812-0061	4	1 Phase
	300-4319-03	1	Assy, Control Plate Cover (Includes Parts Marked #)		812-0061	6	3 Phase
1	234-0952-02	1	Guard	17			#~Washer, Lock (#6)
2			Breaker, Circuit (CB22)		850-0020	4	1 Phase
			~ 2 Pole		850-0020	6	3 Phase
	320-1689-05	1	35A	18	508-0278	1	#~Grommet
	320-1689-07	1	45A	19	370-4083	1	Standoff, Cover
	320-1689-08	1	50A	20	305-0879-02	1	Cover, Regulator
			# 3 Pole	21	305-0931-02	1	Cover, Regulator
	320-1836-03	1	25A	22	854-0010	1	Washer, IT Lock (#10)
	320-1836-05	1	35A	23	813-0113	1	Screw, Round Head Machine (#10-32 x 2-3/4")
3	871-0016	2	#~Nut, Hex (1/4-20)	24	305-0875-04	1	#~Regulator, Automatic Voltage (VR21)
4	526-0052	1	#~Washer, Flat (1/4")	25	.357-0100	1	Diode, Rectifier
5	856-0006	3	#~Washer, EIT (1/4")	26	815-0905-05	2	#~ Screw, Round Head Machine (#10-32 x 1/2")
6	821-0004	4	Screw, Lock Head (#10-32 x 5/16")	27	856-0003	2	#~Washer, EIT (#10)
7	319-1404	1	Cover, Control	28	800-2033	6	Screw, Hex Head Cap (M6 x 1 x 16mm)
8	338-2093	1	#~Harness, AC (Reaches From AC Control Box to DC Control Box) (Includes Plug, Socket and Clamp)	29	850-2006	6	Washer, Lock (M6)
9	323-1383	1	Plug, Circular (J1)	30	526-0018	6	Washer, Flat (1/4")
10	323-1229	1	Socket, Female	31	508-1115	1	*Trim, Edge
11	323-1385	1	Clamp, Cable	32	323-1591	4	#~*Plug, Seal
12			#~Box, Control	33	323-1583	1	#~*Plug
	319-1954	1	1 Phase	34	323-1582	1	#~*Plug (12Pin)
	319-2134	1	3 Phase				
13			#Plate, CB Cover				
	320-1926-02	1	3 Pole CB				
	320-1813-02	1	2 Pole CB				

\* - Parts Shipped Loose in Plastic Bag.

# DC Control

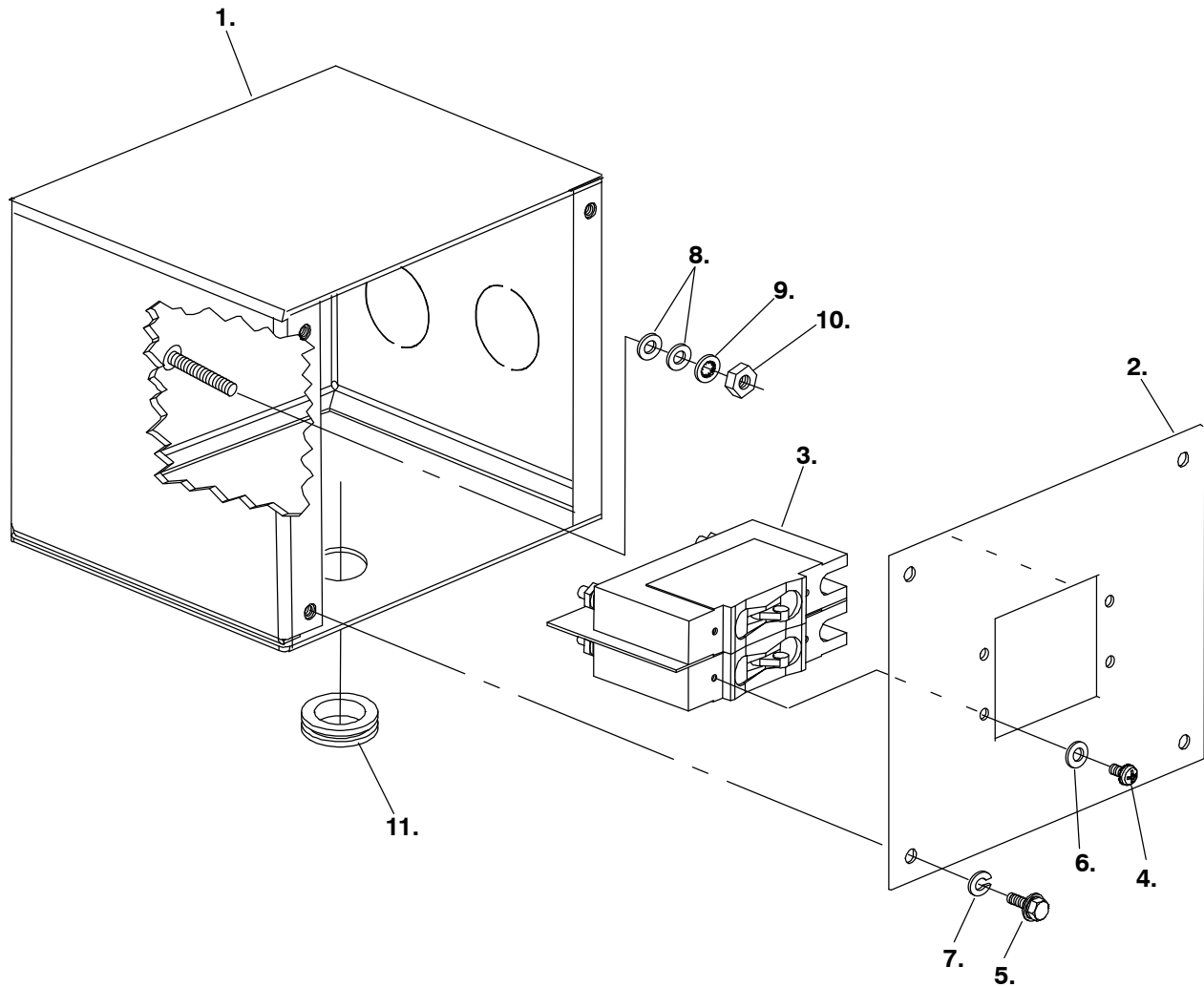


## DC Control

REF NO.	PART NO.	QTY USED	PART DESCRIPTION	REF NO.	PART NO.	QTY USED	PART DESCRIPTION
1	307-2975	1	Box, Control				Marked #)
2	300-2604	1	PCB, Engine Monitor (A11) (Includes Parts Marked *)	21	323-1384	1	#Receptacle, Circular (J1)
3	357-0100	1	*Rectifier, Power (not shown)	22	323-1325	1	#Cap, Connector (J3)
4	320-1141	1	Breaker/Terminal Assy (Fault) (CB12)	23	307-1886	3	#Relay (K13-Heater, K14-Fuel Solenoid, K15-Fuel Flashing)
5	320-1140	1	Breaker, Circuit (CB11)	24	323-1206	1	#Receptacle, Circular (J2)
6	308-0739	1	Switch, Start/Stop (S11)	25	357-0088	1	Rectifier (CR2)
7	402-0070	4	Isolator, Vibration	26	338-2910	1	Harness, Engine (Reaches From Engine to DC Control Box) (Includes Parts Marked ◇)
8	821-0014	2	Screw, Lock Head (5/16-18 x 1/2")				
9	821-0008	2	Screw, Lock Head (1/4-20 x 5/16")	27	332-2304	1	◇Clamp, Cable
10	821-0004	6	Screw, Lock Head (#10-32 x 5/16")	28	323-1195	14	◇Socket, Female
11	810-0155	1	Screw, Round Head Brass Machine (1/4-20 x 1.25")	29	323-1207	1	◇Plug, Circular (J2)
12	856-0006	3	Washer, EIT (1/4")	30	320-1782	1	◇Breaker Assy, Circuit (Includes Circuit Breaker and Insulator)
13	871-0016	2	Nut, Hex (1/4-20)	31	320-1658	1	Breaker, Circuit (CB13)
14	526-0052	2	Washer, Flat (1/4")	32	332-2982	1	Insulator
15	815-0388	8	Screw, Round Head Machine (#6-32 x 1/2")	33	307-1617	1	Relay, Start Solenoid (12V)(K11)
16	812-0029	4	Screw, Round Head Machine (#4-40 x 3/8")	34	332-0941	1	Tie, Cable
17	870-1220	4	Nut, ET Hex (#4-40)	35	821-0014	4	Screw, Lock Flange (5/16-18 x 1/2")
18	870-0183	4	Nut, ET Hex (#6-32)				
19	307-2979	1	Cover, Control				
20	338-2828	1	Harness, DC (Internal to DC Control Box) (Includes Parts				

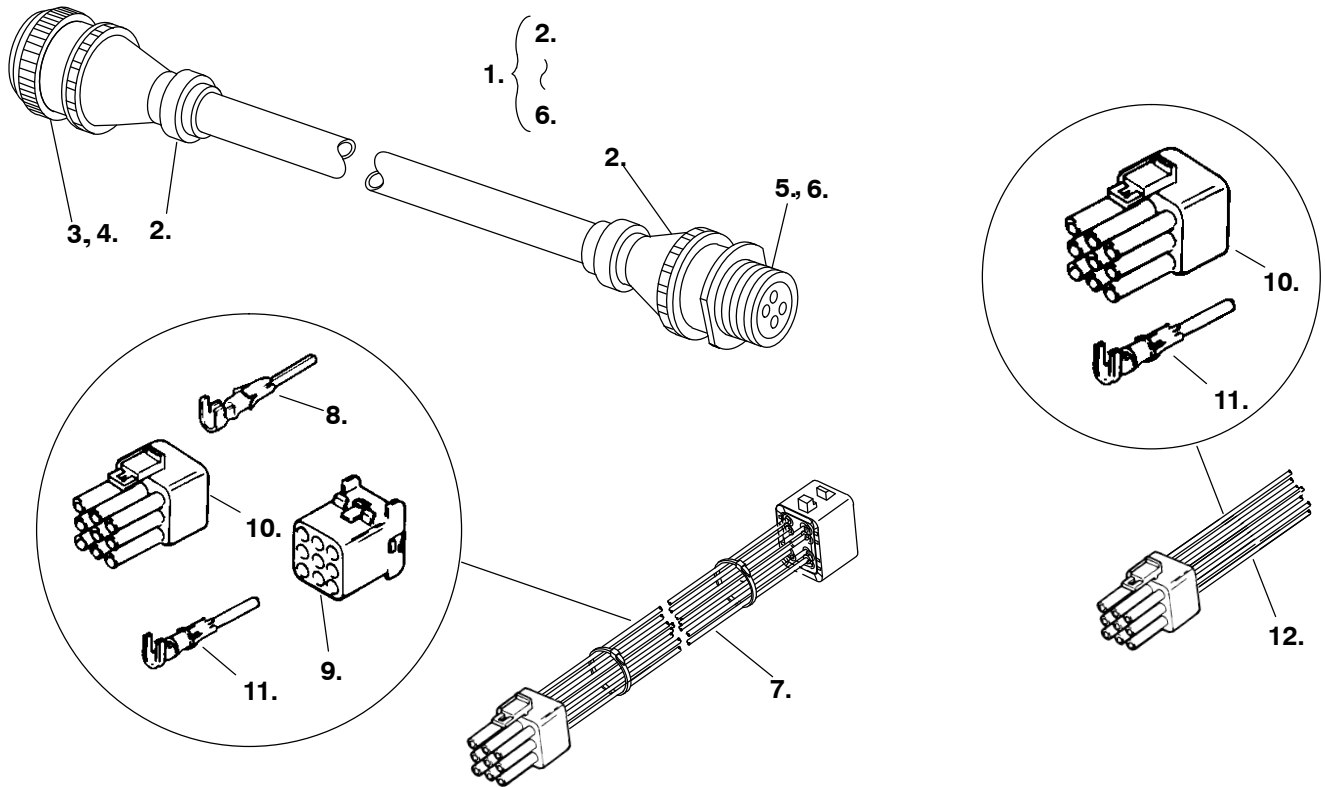
# - Parts Included in Control Wiring Harness.  
◇ - Parts Included in Engine Wiring Harness  
\* - Parts Included in Engine Monitor PCB

## Remote Circuit Breaker Box



REF NO.	PART NO.	QTY USED	PART DESCRIPTION	REF NO.	PART NO.	QTY USED	PART DESCRIPTION
	320-1840		Kit, Remote Mount Circuit Breaker	6.	850-0020	4	Washer, Lock (#6)
1.	319-1054	1	Box, Junction	7.	850-0030	4	Washer, Lock (#10)
2.	319-1055	1	Cover, Junction Box	8.	526-0052	2	Washer, Flat (1/4")
3.	320-1689-07	1	Breaker, Circuit (45A)	9.	854-0014	1	Washer, Lock IT (1/4")
4.	812-0061	4	Screw, Round Head Machine (#6-32 x .38)	10.	871-0015	1	Nut, Hex Brass (1/4-20)
5.	813-0100	4	Screw, Round Head Machine (#10-32 x .50)	11.	331-0538	6	Bushing, Reducer (1" to 3/4")

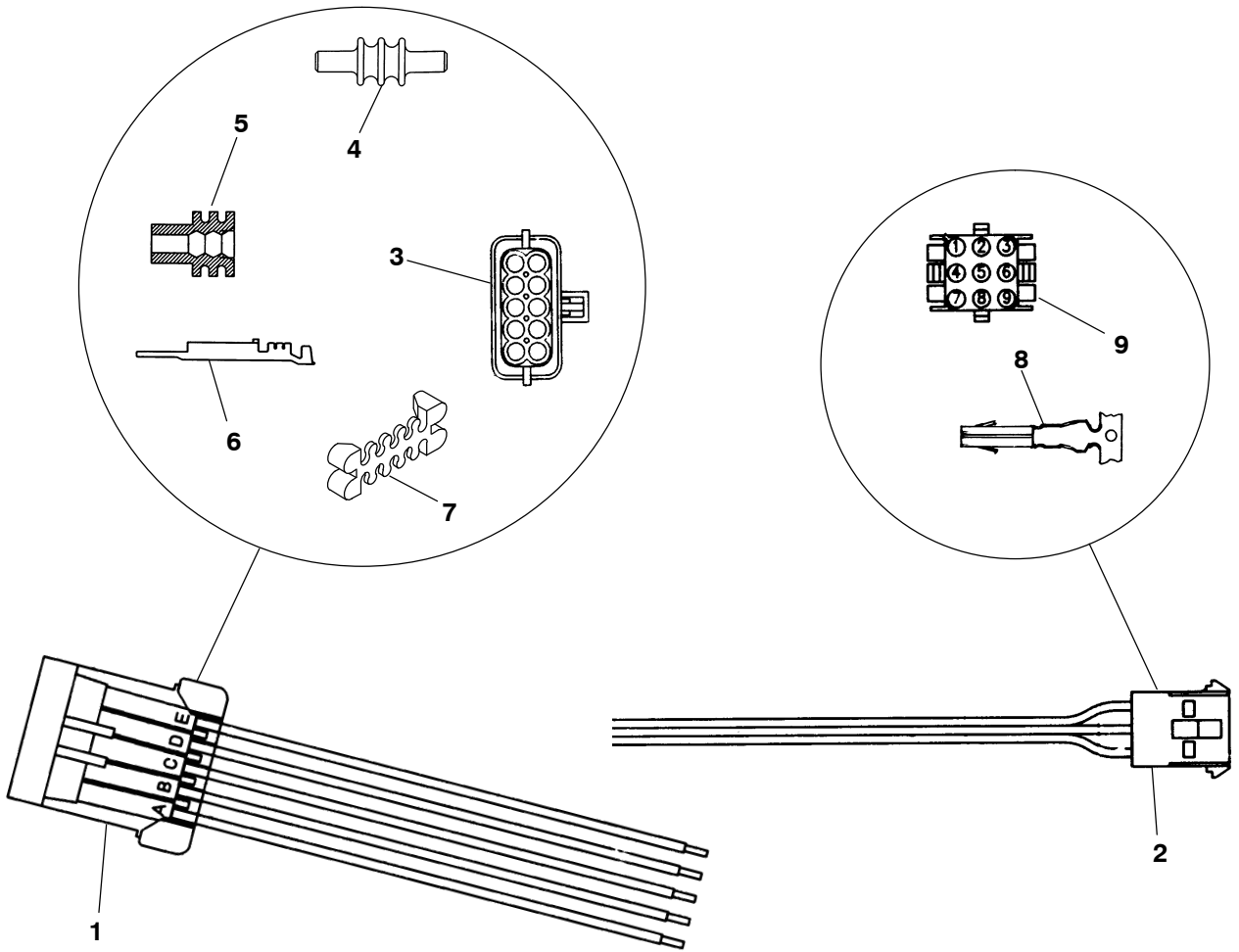
# Harnesses



REF NO.	PART NO.	QTY USED	PART DESCRIPTION	REF NO.	PART NO.	QTY USED	PART DESCRIPTION
1.			Harness, Control Box Extension (Includes Parts Marked *) DC (Reaches From Remote Mounted DC Control Box to Engine Harness)	6.			*Pin, Terminal (J2) (Male)
	338-2912-01	1	18"		323-1228	2	AC Harness (22-18 AWG)
	338-2912-02	1	36"		323-1194	1	DC Harness (18-14 AWG)
	338-2912-03	1	84"	7.			Harness, Remote Panel Extension (Reaches From DC Control Box to Remote Panel Harness) (Includes Parts Marked +)
	338-2912-04	1	120"		338-2237	1	15 ft
	338-2912-05	1	156"		338-2238	1	25 ft
			AC (Reaches From AC Control Box to Remote Mounted DC Control Box)	8.	323-1200	1	+Contact, Socket
	338-2914-01	1	18"	9.	323-1325	1	+Cap, Connector
	338-2914-02	1	36"	10.	323-1291	1	#+Plug, 9 Pin (J3)
	338-2914-03	1	84"	11.	323-1199	9	#+Pin, Contact
	338-2914-04	1	120"	12.	338-2102	1	Harness, Customer Interface Pigtail (Reaches From DC Control Box to Customer Hookup) (Includes Parts Marked #)
	338-2914-05	1	156"				
2.			*Clamp, Cable				
	323-1385	2	AC Harness				
	332-2304	2	DC Harness				
3.			*Plug, Circular (P2)				
	323-1383	1	AC Harness (4 Pin)				
	323-1207	1	DC Harness (24 Pin)				
4.			*Socket, Terminal (P2) (Female)				
	323-1229	2	AC Harness (22-18 AWG)				
	323-1195	1	DC Harness (18-14 AWG)				
5.			*Plug, Free Hanging Receptacle (J2)				
	323-1620	1	AC Harness (4 Contacts)				
	323-1613	1	DC Harness (24 Contacts)				

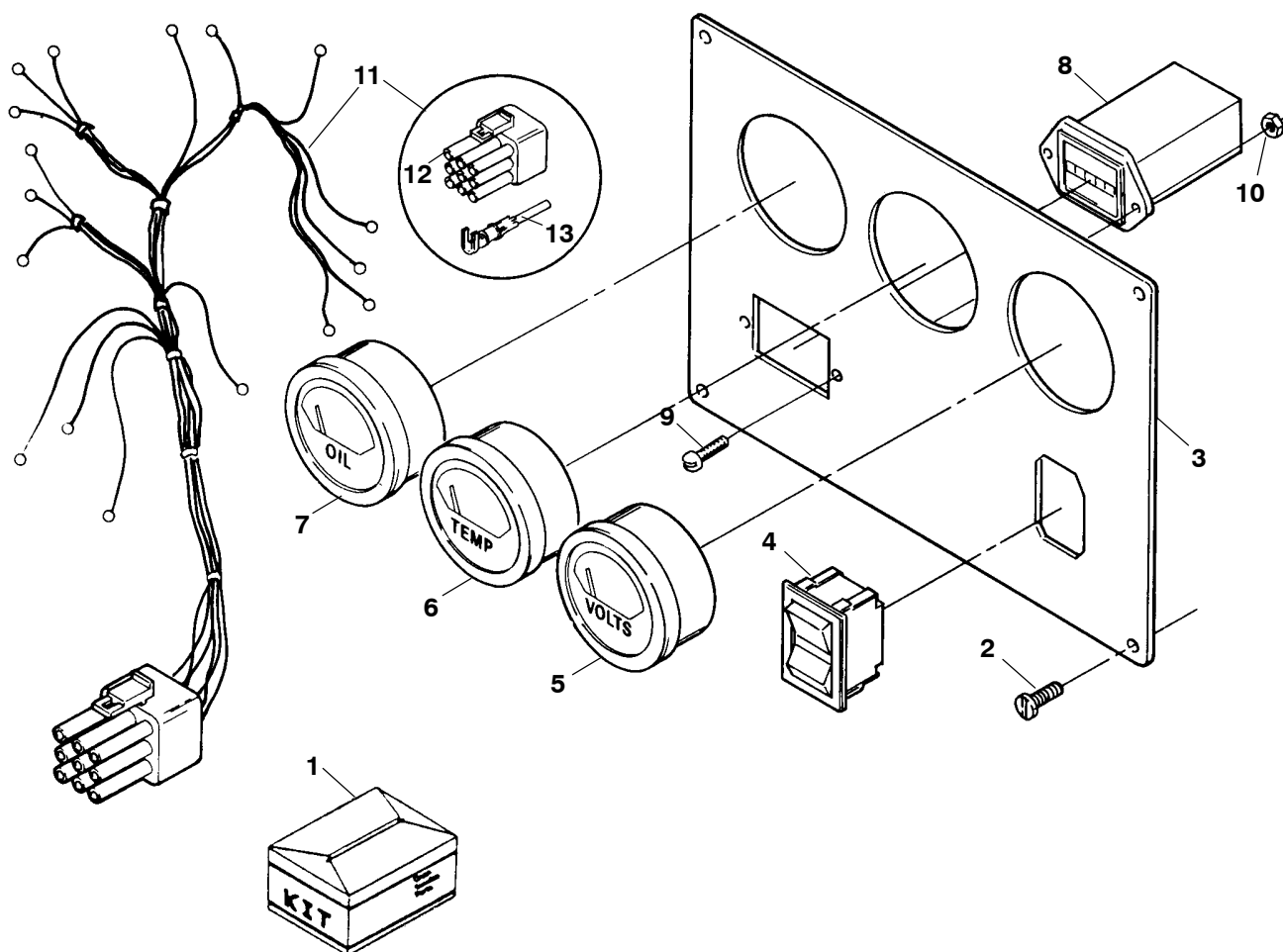
\* - Parts Included in Extension Control Box Harness.  
+ - Parts Included in Extension Remote Panel Harness.  
# - Parts Included in Remote Harness.

# Remote Harness



REF NO.	PART NO.	QTY USED	PART DESCRIPTION	REF NO.	PART NO.	QTY USED	PART DESCRIPTION
1	300-4947	1	Harness, Remote 6" (Includes Parts Marked *)	5	323-1708	5	+*Seal, Cable
2	338-3573	1	Harness, Adapter (Includes Parts Marked #)	6	323-1707	5	*Pin, Contact
3	323-1710	1	*Connector, Receptacle (8 Pin)	7	323-1719	1	*Housing, Lock
4	323-1712	3	*Plug, Cavity	8	323-1200	AR	#Socket, Contact
				9	323-1325	1	#Cap, Connector

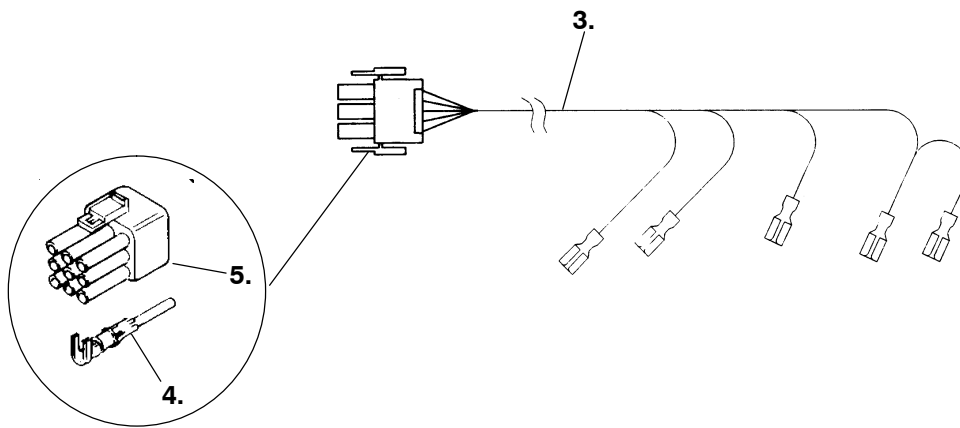
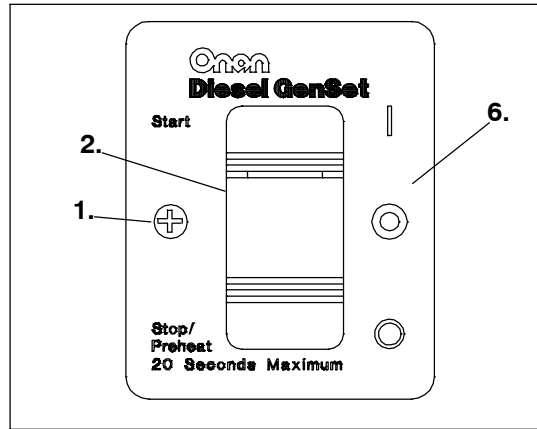
## Remote Gauge Panel



REF NO.	PART NO.	QTY USED	PART DESCRIPTION	REF NO.	PART NO.	QTY USED	PART DESCRIPTION
1	300-3248-04	1	Panel Assy, Remote Control (Includes Parts Marked *)	9	815-0385	2	*Screw, Round Head Machine (#6-32 x 1/2')
2	808-0023	4	Screw, Sheet Metal Round Head (#8 x 1/2")	10	870-0183	2	*Nut, ET Hex (#6-32)
3	319-0141	1	*Panel	11	338-2222-02	1	*Harness, Remote Panel (Reaches From Remote Panel to Remote Panel Extension Harness) (Includes Housing and Pins)
4	308-0827	1	*Switch, Rocker (S11)	12	323-1291	1	Housing, Connector (P4)
5	302-1641	1	*Voltmeter (Includes Mounting Hardware) (M14)	13	323-1199	6	Pin, Contact
6	193-0351	1	*Gauge, Coolant Temperature (Includes Mounting Hardware) (M13)				
7	193-0352	1	*Gauge, Oil Pressure (Includes Mounting Hardware) (M12)				
8	302-0885	1	*Meter, Time Totalizing (M11)				

\* - Parts Included in Remote Control Panel Assy.

## Remote Switch Panel

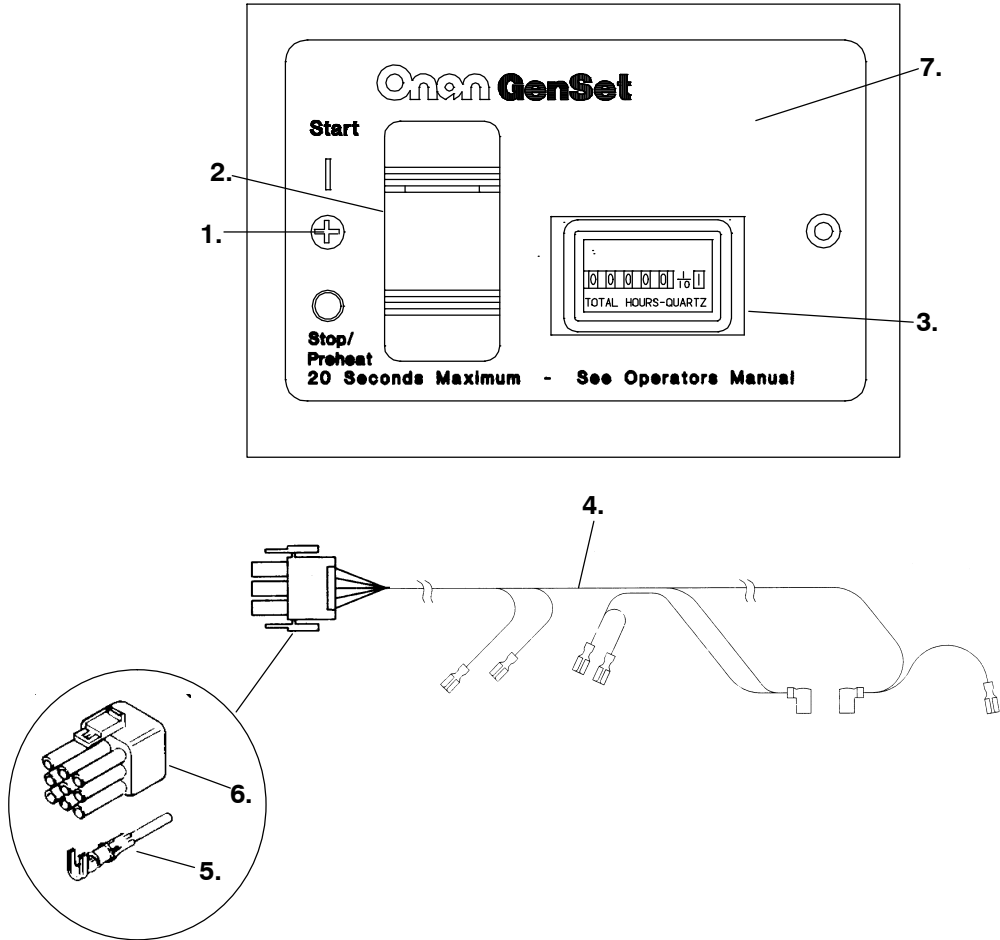


REF NO.	PART NO.	QTY USED	PART DESCRIPTION	REF NO.	PART NO.	QTY USED	PART DESCRIPTION
	300-4939	1	Kit, Switch Only Remote Panel	5.	323-1291	1	Plug (9 Pin)
1.	815-0910	2	Screw, Wood Mounting (#6 x 1)	6.	319-2339-02	1	Panel, Printed
2.	308-1062	1	Switch, Rocker				
3.	338-3511-S0	1	Harness, Remote Panel (Includes Pins and Plug)				
4.	323-1199	4	Pin, Contact				

\* - Parts Included in Remote Control Panel Assy.



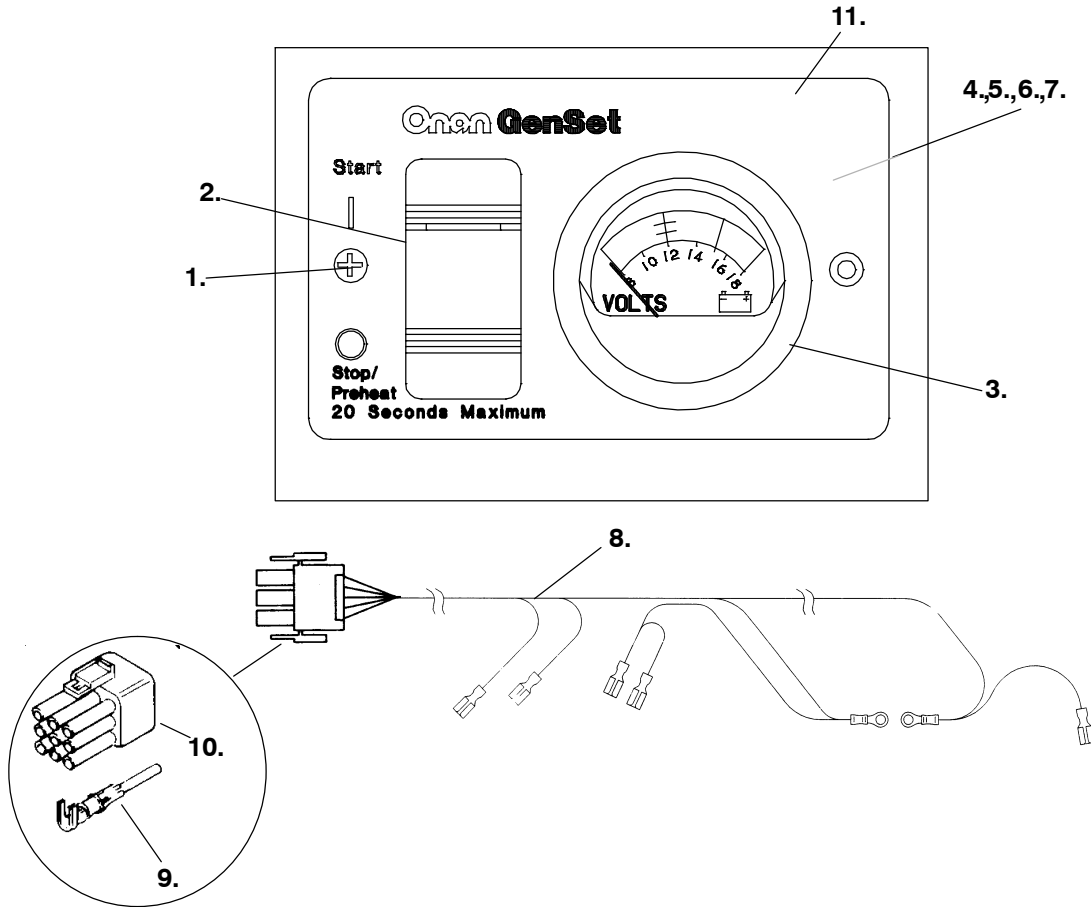
# Remote Switch/Hourmeter Panel



REF NO.	PART NO.	QTY USED	PART DESCRIPTION	REF NO.	PART NO.	QTY USED	PART DESCRIPTION
	300-4940	1	Kit, Switch/Hourmeter Remote Panel	5.	323-1199	5	Pin, Contact
1.	815-0910	2	Screw, Wood Mounting (#6 x 1)	6.	323-1291	1	Plug (9 Pin)
2.	308-1062	1	Switch, Rocker	7.	319-2340-04	1	Panel, Printed
3.	302-2002	1	Meter, Hour				
4.	338-3467	1	Harness, Remote Panel (Includes Pins and Plug)				

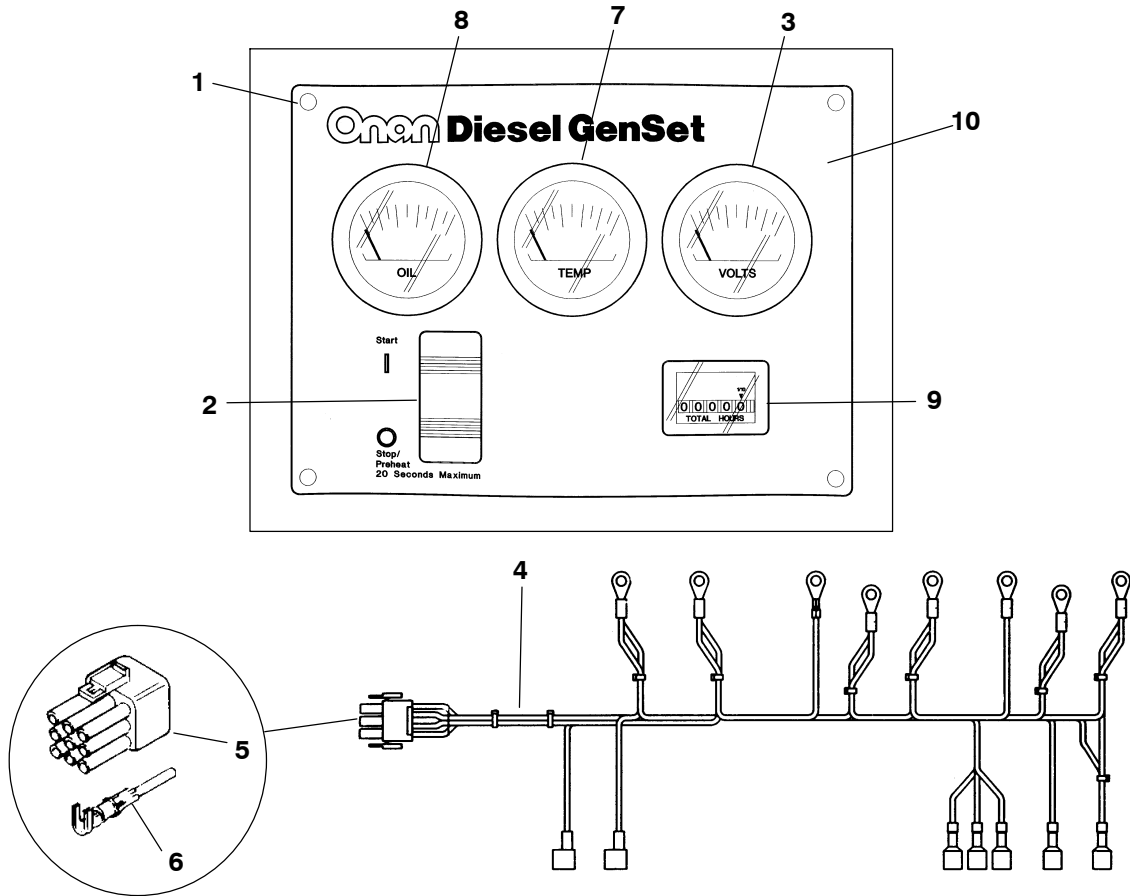
\* - Parts Included in Remote Control Panel Assy.

## Remote Switch/Voltmeter Panel



REF NO.	PART NO.	QTY USED	PART DESCRIPTION	REF NO.	PART NO.	QTY USED	PART DESCRIPTION
	300-4941	1	Kit, Switch/Voltmeter	8.	338-3508	1	Harness, Remote Panel (Includes Pins and Plug)
1.	815-0910	2	Screw, Wood Mounting (#6 x 1)	9.	323-1199	5	Pin, Contact
2.	308-1062	1	Switch, Rocker	10.	323-1291	1	Plug (9 Pin)
3.	302-1641	1	Meter, Voltage	11.	319-3132-01	1	Panel, Printed
4.	526-0409	2	Washer, Nylon	* - Parts Included in Remote Control Panel Assy.			
5.	526-0049	4	Washer, Flat				
6.	871-0010	4	Nut, Hex Brass Machine (10-32)				
7.	850-0030	2	Washer, Lock				

## Remote Gauge Panel



REF NO.	PART NO.	QTY USED	PART DESCRIPTION	REF NO.	PART NO.	QTY USED	PART DESCRIPTION
	300-5026	1	Kit, Remote Gauge Panel	6	323-1199	7	Pin, Contact
1	808-0023	4	Screw, Pan Head Sheet Metal Mounting (#8 x .50)	7	193-0351	1	Gauge, Water Temperature
2	308-1062	1	Switch, Rocker (SPDT)	8	193-0352	1	Gauge, Oil Pressure
3	302-1641	1	Meter, Voltage	9	302-2002	1	Meter, Hour
4	338-3636	1	Harness, Remote Panel (Includes Plug and Pins)	10	319-4506	1	Panel, Printed
5	323-1291	1	Plug (9 Pin)				

\* - Parts Included in Remote Control Panel Assy.

## Labels, Gasket Kit

REF NO.	PART NO.	QTY USED	PART DESCRIPTION	REF NO.	PART NO.	QTY USED	PART DESCRIPTION
	185-5795	1	Label		185-6478	1	*Gasket, Cylinder Head
	185-6703	1	Label, BGI		185-6545	1	*Seal, O'Ring
	98-6303-05	1	Label, Circuit Breaker		185-5661	2	*Gasket
	98-6563	1	Label, Control		185-5663	1	*Gasket
	98-5805	1	Label, Control Panel- Front		185-6603	1	*Gasket, Shaft Cover
	98-5761	1	Label, Control Panel - Rear		185-5673	1	*Seal, O'Ring
	98-7244	1	Label, Danger - High Voltage		185-2461	1	*Seal, Oil
	98-5163-01	1	Label, Fuel Line		185-6894	1	*Gasket, Control Plate
	98-2235	1	Label, Ground		185-2284	1	*Gasket
	185-5796	1	Label, Instruction		185-5337	4	*Gasket, Nozzle Holder
			Label, Model Ident		185-6511	1	*Gasket, Bearing Case Cover
	98-7139	1	8kW		185-6869	1	*Gasket, Bearing Case
	98-7140	1	10kW		185-2291	4	*Gasket
	98-5338	1	Label, No Step		509-0196	1	*Seal, O'Ring
	98-6505-02	1	Label, Oil Recommendations		185-6580	1	*Gasket, Fuel Pump
	98-6388-02	1	Label, Phone Info Service/Parts		191-2239	2	*Seal, O'Ring
			Label, Reconnect		185-6922	1	*Gasket, Water Flange
	98-6671-02	1	1 Phase		185-2238	1	*Gasket, Thermostat
	98-7142	1	3 Phase		185-7299	1	*Gasket, Water Pump
	98-6573-02	1	Label, Schematic		185-6854	2	*Gasket, Exhaust Manifold
	98-5162-01	1	Label, Support Fuel Line		185-6684	8	*Seal, Valve Stem
	98-5755	1	Label, Warning - Hazardous		185-6853	1	*Gasket, Exhaust
			Voltage/Backfeed		185-6701	1	*Gasket, Intake Manifold
	98-6074-02	1	Label, Warning, Toxicity		185-6496	1	*Gasket, Gearcase
			State/Federal		185-6510	1	*Seal, Oil
	98-4798-01	2	Label, Warning - Rotating Parts		185-5743	2	*Seal, O'Ring
	98-7906	2	Label, Commercial Mobile		185-5869	1	*Seal, O'Ring
			Power		185-6494	1	*Seal, Oil
					185-3078	1	*Seal, O'Ring
	168-0225	1	Kit, Engine Gasket (Includes		185-2095	1	*Seal, O'Ring
			Parts Marked *)		185-2338	1	*Seal, O'Ring
	185-5641	4	*Gasket, Delivery Valve		185-3080	2	*Seal, O'Ring
	185-5643	4	*Seal, O'Ring		185-5869	2	*Seal, O'Ring
	185-5478	1	*Gasket, Oil Pan		185-2284	2	*Seal, O'Ring
	185-2349	2	*Gasket, Oil Fill Plug		140-2848	1	*Seal, O'Ring
	185-6579	1	*Gasket, Pump Cover				
	185-6488	1	*Gasket, Gearcase				
	185-6498	2	*Gasket, Valve Cover				
	185-5646	8	*Seal, O'Ring				

\* - Parts Included in Engine Gasket Kit.

# Numerical Index

<u>Part No.</u>	<u>Page</u>	<u>Part No.</u>	<u>Page</u>	<u>Part No.</u>	<u>Page</u>	<u>Part No.</u>	<u>Page</u>
098-2235, <b>74</b>		110-3959, <b>34</b>		140-2841, <b>49</b>		181-9055, <b>30 , 31</b>	
098-4798-01, <b>74</b>		110-3962, <b>9</b>		140-2842, <b>49</b>		181-9067, <b>20</b>	
098-5162-01, <b>74</b>		110-3965, <b>26</b>		140-2843, <b>49</b>		181-9079, <b>39</b>	
098-5163-01, <b>74</b>		110-3974, <b>35</b>		140-2844, <b>49</b>		181-9093, <b>9</b>	
098-5338, <b>74</b>		110-4021, <b>35</b>		140-2845, <b>49</b>		181-9099, <b>41 , 42</b>	
098-5755, <b>74</b>		110-4022, <b>35</b>		140-2846, <b>49</b>		181-9100, <b>35</b>	
098-5761, <b>74</b>		110-4094, <b>26</b>		140-2847, <b>49</b>		181-9104, <b>20</b>	
098-5805, <b>74</b>		112-0319, <b>10</b>		140-2848, <b>49 , 74</b>		181-9105, <b>21</b>	
098-6074-02, <b>74</b>		112-0320, <b>10</b>		140-2850, <b>49</b>		181-9107, <b>36</b>	
098-6303-05, <b>74</b>		114-0418, <b>10</b>		140-2863-02, <b>49</b>		181-9108, <b>44</b>	
098-6388-02, <b>74</b>		114-0419, <b>10</b>		140-2864-02, <b>49</b>		181-9109, <b>39</b>	
098-6505-02, <b>74</b>		114-0430, <b>10</b>		147-0179, <b>32</b>		181-9113, <b>20</b>	
098-6563, <b>74</b>		114-0450, <b>10</b>		147-0976, <b>24</b>		181-9114, <b>20</b>	
098-6573-02, <b>74</b>		115-0025, <b>48</b>		147-0977, <b>24</b>		181-9115, <b>44</b>	
098-6671-02, <b>74</b>		115-0514, <b>38</b>		147-0978, <b>31</b>		181-9116, <b>44</b>	
098-7139, <b>74</b>		115-0541, <b>12</b>		149-2100, <b>47</b>		181-9117, <b>35</b>	
098-7140, <b>74</b>		120-1362, <b>54</b>		149-2106, <b>47</b>		181-9118, <b>26</b>	
098-7142, <b>74</b>		120-1396, <b>20</b>		149-2428, <b>47</b>		181-9119, <b>26</b>	
098-7244, <b>74</b>		123-2019-01, <b>9</b>		149-2429, <b>47</b>		181-9122, <b>18</b>	
098-7906, <b>74</b>		123-2295, <b>38</b>		149-2548, <b>47</b>		181-9123, <b>18</b>	
100-3217, <b>9</b>		123-2296, <b>38 , 39</b>		150-1733, <b>48</b>		181-9124, <b>16</b>	
100-3384-S0, <b>9</b>		123-2298, <b>38</b>		150-2554-02, <b>48</b>		181-9126, <b>12</b>	
100-3708, <b>9</b>		123-2299, <b>38</b>		150-2555, <b>48</b>		181-9134, <b>10</b>	
100-3960, <b>9</b>		123-2414, <b>54</b>		150-2864, <b>20</b>		181-9135, <b>10</b>	
100-4127, <b>9</b>		130-1788, <b>51</b>		150-2866, <b>20</b>		181-9149, <b>21</b>	
101-0867, <b>16</b>		130-2779, <b>52</b>		150-2867, <b>21</b>		181-9150, <b>21</b>	
101-0869, <b>41 , 42</b>		130-2780, <b>52</b>		150-2868, <b>21</b>		181-9151, <b>19</b>	
102-1443, <b>53</b>		130-2781, <b>52</b>		150-2927, <b>21</b>		181-9188, <b>39</b>	
102-1511, <b>54</b>		130-4121, <b>45</b>		152-0378, <b>19</b>		181-9220, <b>39</b>	
102-1528, <b>54</b>		130-4122, <b>45</b>		154-2852, <b>56</b>		181-9223, <b>18</b>	
103-0835, <b>40</b>		130-4179-02, <b>51</b>		154-3204, <b>55</b>		181-9225, <b>25 , 26</b>	
104-1861, <b>13</b>		130-4182-02, <b>51</b>		155-2124, <b>56</b>		181-9228, <b>19</b>	
104-1862, <b>13</b>		130-4185-02, <b>51</b>		155-2262, <b>56</b>		181-9229, <b>19</b>	
104-2118, <b>16</b>		130-4212-02, <b>51</b>		155-2653, <b>56</b>		181-9233, <b>44</b>	
104-2119, <b>16</b>		130-4213, <b>51</b>		155-2666, <b>56</b>		181-9237, <b>56</b>	
104-2120, <b>16</b>		130-4259-02, <b>51</b>		168-0225, <b>9 , 74</b>		181-9238, <b>39</b>	
104-2121, <b>11 , 16</b>		130-4260-02, <b>51</b>		181-9000, <b>39</b>		181-9259, <b>19</b>	
104-2157, <b>11</b>		130-4261-02, <b>57</b>		181-9007, <b>44</b>		184-0038, <b>41</b>	
104-2158, <b>11</b>		130-4555, <b>51</b>		181-9013, <b>42</b>		184-0071, <b>20</b>	
105-0745, <b>12</b>		130-4556, <b>45</b>		181-9025, <b>39</b>		185-2072, <b>33</b>	
110-3827, <b>33</b>		134-5386, <b>39</b>		181-9036, <b>35</b>		185-2076, <b>33</b>	

# Numerical Index

<u>Part No.</u>	<u>Page</u>	<u>Part No.</u>	<u>Page</u>	<u>Part No.</u>	<u>Page</u>	<u>Part No.</u>	<u>Page</u>
185-2077,	34	185-3055,	38	185-5398,	28	185-5643,	23 , 74
185-2080,	33	185-3078,	53 , 74	185-5399,	28	185-5644,	23
185-2095,	9 , 74	185-3080,	40 , 74	185-5400,	28	185-5645,	23
185-2115,	9	185-3093,	17	185-5401,	28	185-5646,	23 , 74
185-2124,	40 , 41 , 42	185-4255,	19 , 22 , 36 , 40 , 41	185-5402,	28	185-5647,	23
185-2179,	33 , 34 , 35	185-5337,	27 , 30 , 31 , 74	185-5403,	28	185-5649,	23
185-2184,	33 , 34 , 35	185-5363,	28	185-5404,	28	185-5650,	23
185-2188,	9 , 25 , 26	185-5364,	28	185-5405,	28	185-5652,	23
185-2233,	9	185-5365,	28	185-5406,	28	185-5653,	23
185-2238,	36 , 74	185-5366,	28	185-5407,	37 , 40	185-5654,	23
185-2283,	20	185-5367,	28	185-5421,	27 , 30	185-5655,	23
185-2284,	9 , 19 , 20 , 30 , 31 , 74	185-5368,	28	185-5445,	45	185-5658,	23
185-2291,	37 , 38 , 39 , 74	185-5369,	28	185-5446,	45	185-5659,	23
185-2338,	9 , 74	185-5370,	28	185-5447,	45	185-5661,	23 , 24 , 74
185-2345,	27 , 30 , 31	185-5371,	28	185-5458,	36	185-5662,	23 , 24
185-2349,	37 , 40 , 74	185-5372,	28	185-5477,	13	185-5663,	23 , 24 , 74
185-2351,	19	185-5373,	28	185-5478,	53 , 74	185-5673,	19 , 74
185-2359,	19 , 40	185-5374,	28	185-5484,	9	185-5684,	20
185-2367,	20	185-5375,	28	185-5486,	9	185-5685,	20
185-2384,	37 , 39	185-5376,	28	185-5487,	9	185-5688,	19
185-2385,	27 , 30 , 31	185-5377,	28	185-5490,	9	185-5714,	43
185-2386,	17	185-5378,	28	185-5502,	25	185-5719,	43 , 44
185-2387,	12 , 21	185-5379,	28	185-5558,	12	185-5741,	40 , 41 , 42
185-2388,	12 , 18 , 19 , 36 , 40 , 45	185-5380,	28	185-5560,	12	185-5742,	40 , 41 , 42
185-2389,	17 , 55	185-5381,	28	185-5607,	27 , 30 , 31	185-5743,	40 , 41 , 42 , 74
185-2390,	15 , 16	185-5382,	28	185-5608,	27 , 30 , 31	185-5744,	41 , 42
185-2391,	15	185-5383,	28	185-5609,	27 , 30 , 31	185-5745,	43
185-2394,	40	185-5384,	28	185-5612,	27 , 30 , 31	185-5767,	46
185-2401,	20	185-5385,	28	185-5615,	31	185-5768,	46
185-2403,	45	185-5386,	28	185-5616,	28 , 30	185-5769,	46
185-2411,	25 , 26	185-5387,	28	185-5617,	28	185-5770,	46
185-2412,	9	185-5388,	28	185-5618,	28	185-5771,	46
185-2413,	25 , 26	185-5389,	28	185-5619,	28	185-5772,	46
185-2414,	25 , 26	185-5390,	28	185-5620,	28	185-5773,	46
185-2461,	19 , 74	185-5391,	28	185-5621,	28	185-5774,	46
185-2563,	53 , 54	185-5392,	28	185-5623,	22 , 24	185-5775,	46
185-2564,	20	185-5393,	28	185-5624,	22 , 24	185-5777,	46
185-2572,	9	185-5394,	28	185-5625,	22 , 24	185-5782,	46
185-2578,	22 , 24	185-5395,	28	185-5639,	23	185-5783,	46
185-2961,	46	185-5396,	28	185-5640,	23	185-5784,	46
		185-5397,	28	185-5641,	23 , 74	185-5785,	46

# Numerical Index

<u>Part No.</u>	<u>Page</u>	<u>Part No.</u>	<u>Page</u>	<u>Part No.</u>	<u>Page</u>	<u>Part No.</u>	<u>Page</u>
185-5786,	46	185-6468,	9	185-6512,	15	185-6558,	17
185-5787,	46	185-6469,	9	185-6513,	15 , 16	185-6559,	17
185-5788,	46	185-6471,	9	185-6514,	15	185-6560,	17 , 18
185-5789,	46	185-6472,	9	185-6515,	15	185-6561,	17 , 18
185-5790,	46	185-6473,	53	185-6516,	12	185-6562,	17 , 18
185-5791,	46	185-6474,	25	185-6517,	12	185-6563,	17 , 18
185-5795,	74	185-6475,	25	185-6518,	12	185-6564,	17 , 18
185-5796,	74	185-6476,	25	185-6519,	12	185-6565,	17 , 18
185-5798,	22	185-6477,	25 , 26	185-6520,	12	185-6566,	17 , 18
185-5826,	54	185-6478,	25 , 74	185-6521,	12	185-6567,	17 , 18
185-5833,	40 , 41 , 42	185-6479,	25 , 26	185-6522,	12	185-6568,	17 , 18
185-5835,	40 , 41 , 42	185-6480,	40	185-6523,	12	185-6569,	17 , 18
185-5843,	9	185-6481,	40 , 41	185-6524,	12	185-6570,	17 , 18
185-5845,	9	185-6482,	40 , 41 , 42	185-6525,	12	185-6571,	17 , 18
185-5869,	40 , 74	185-6483,	40 , 41 , 42	185-6526,	12	185-6572,	17 , 18
185-5924,	11	185-6484,	40 , 41 , 42	185-6529,	10	185-6573,	17 , 18
185-5938,	11	185-6485,	40 , 41	185-6530,	10	185-6574,	20
185-5939,	11	185-6486,	40 , 41 , 42	185-6531,	10	185-6575,	20
185-5941,	11	185-6487,	40 , 41 , 42	185-6532,	10	185-6576,	20
185-5942,	11	185-6488,	40 , 74	185-6533,	10	185-6577,	20
185-5943,	11	185-6489,	36 , 41	185-6534,	10	185-6578,	20
185-5959,	17 , 18 , 21	185-6490,	40 , 42	185-6535,	10	185-6579,	20 , 74
185-5960,	17 , 18 , 21	185-6491,	40 , 41 , 42	185-6536,	10	185-6580,	22 , 74
185-5985,	30 , 31	185-6492,	40 , 41 , 42	185-6537,	10	185-6581,	22 , 23
185-6040,	9	185-6493,	40	185-6538,	10	185-6584,	22 , 24
185-6103,	38	185-6494,	40 , 74	185-6540,	11	185-6585,	22 , 24
185-6121,	9	185-6495,	40	185-6541,	11	185-6586,	22
185-6163,	21	185-6496,	40 , 74	185-6542,	11	185-6587,	23
185-6187,	46	185-6497,	37	185-6543,	11	185-6588,	23
185-6188,	46	185-6498,	37 , 38 , 39 , 74	185-6544,	11	185-6589,	23
185-6189,	46	185-6499,	37 , 55	185-6545,	74	185-6590,	23
185-6190,	46	185-6500,	37	185-6546,	11	185-6591,	23
185-6191,	46	185-6501,	37	185-6547,	11	185-6592,	23
185-6347,	45	185-6503,	37	185-6548,	11	185-6593,	21
185-6394,	37 , 38	185-6504,	37	185-6549,	11 , 16	185-6594,	21
185-6440,	45	185-6506,	15	185-6550,	11	185-6595,	21
185-6445,	36	185-6507,	15 , 16	185-6551,	11	185-6597,	21
185-6457,	43	185-6508,	15	185-6552,	11	185-6598,	21
185-6459,	34 , 35	185-6509,	15	185-6553,	11	185-6599,	21
185-6466,	9	185-6510,	15 , 74	185-6554,	11	185-6600,	21
185-6467,	9	185-6511,	15 , 74	185-6556,	11	185-6601,	21

# Numerical Index

<u>Part No.</u>	<u>Page</u>	<u>Part No.</u>	<u>Page</u>	<u>Part No.</u>	<u>Page</u>	<u>Part No.</u>	<u>Page</u>
185-6602,	21	185-6661,	14	185-6742,	22 , 24	185-6913,	29 , 32
185-6603,	21 , 74	185-6662,	14	185-6743,	22 , 24	185-6914,	29 , 32
185-6604,	21	185-6663,	36	185-6744,	22 , 24	185-6915,	29 , 32
185-6605,	21	185-6665,	36 , 40 , 42	185-6745,	10	185-6916,	29 , 32
185-6606,	19	185-6666,	36	185-6746,	10	185-6917,	29 , 32
185-6607,	19	185-6667,	36	185-6747,	25 , 26	185-6918,	29 , 32
185-6608,	19	185-6668,	36	185-6748,	22 , 23 , 24	185-6921,	36
185-6609,	19	185-6670,	36	185-6750,	27 , 30 , 31	185-6922,	36 , 74
185-6610,	19	185-6671,	43	185-6751,	27 , 30 , 31	185-6930,	20
185-6611,	19	185-6672,	43 , 44	185-6759,	19 , 20 , 22 , 24 , 36 , 40 , 41 , 42	185-6931,	19 , 20
185-6612,	19	185-6673,	43	185-6785,	45	185-6956,	25 , 26
185-6613,	19	185-6674,	43	185-6786,	45	185-7056,	46
185-6614,	19	185-6677,	36 , 43 , 44 , 55	185-6853,	56 , 74	185-7069,	40 , 41 , 42 , 55
185-6615,	19	185-6678,	43	185-6854,	56 , 74	185-7110,	56
185-6616,	19	185-6679,	43	185-6856,	9	185-7212,	9
185-6617,	27	185-6680,	45	185-6863,	40 , 41	185-7216,	41 , 42
185-6618,	27 , 28	185-6681,	33 , 34	185-6864,	40 , 41 , 42	185-7223,	20
185-6621,	27	185-6682,	33 , 34	185-6869,	15 , 74	185-7242,	36
185-6622,	27	185-6683,	33 , 34 , 35	185-6871,	15	185-7243,	13
185-6623,	27	185-6684,	33 , 74	185-6876,	17	185-7245,	9
185-6624,	27 , 30 , 31	185-6685,	33	185-6879,	17	185-7249,	11
185-6625,	28	185-6686,	33	185-6880,	17 , 18	185-7251,	23
185-6626,	28	185-6687,	33 , 34 , 35	185-6884,	23	185-7266,	30 , 31
185-6627,	45 , 46	185-6688,	33 , 34 , 35	185-6887,	23 , 24	185-7291,	14
185-6628,	45	185-6689,	33 , 34 , 35	185-6889,	20	185-7299,	43 , 44 , 74
185-6629,	45	185-6690,	33	185-6893,	19	185-7300,	34
185-6630,	45	185-6691,	33 , 34 , 35	185-6894,	19 , 74	185-7305,	15
185-6631,	45	185-6692,	33	185-6897,	30 , 31	185-7306,	15
185-6632,	45	185-6693,	33 , 34 , 35	185-6900,	29 , 32	185-7307,	15
185-6633,	45	185-6694,	33 , 34 , 35	185-6901,	29 , 32	185-7312,	11
185-6634,	45	185-6695,	33 , 34 , 35	185-6902,	29 , 32	185-7313,	20
185-6640,	14	185-6696,	56	185-6903,	29 , 32	185-7395,	34 , 35
185-6641,	14	185-6697,	56	185-6904,	29 , 32	185-7402,	19
185-6645,	14	185-6698,	56	185-6905,	29 , 32	185-7403,	23
185-6653,	14	185-6699,	56	185-6906,	29 , 32	185-7404,	30 , 31
185-6654,	14	185-6700,	55	185-6907,	29 , 32	185-7405,	40
185-6655,	14	185-6701,	55 , 74	185-6908,	29 , 32	185-7421,	54
185-6656,	14	185-6703,	74	185-6909,	29 , 32	185-7423,	40 , 41 , 42
185-6657,	14	185-6721,	37	185-6910,	29 , 32	185-7425,	19 , 40 , 41 , 42
185-6658,	14	185-6740,	27 , 29 , 30 , 32	185-6911,	29 , 32	185-7426,	38 , 39 , 42
185-6660,	14	185-6741,	17 , 18	185-6912,	29 , 32	185-7429,	11



# Numerical Index

<u>Part No.</u>	<u>Page</u>	<u>Part No.</u>	<u>Page</u>	<u>Part No.</u>	<u>Page</u>	<u>Part No.</u>	<u>Page</u>
185-7432,	21	232-3296,	59 , 60	319-1055,	66	323-1710,	68
185-7433,	19	232-3752,	59	319-1404,	63	323-1712,	68
185-7434,	19	232-3753,	59	319-1954,	63	323-1719,	68
185-7440,	35	232-3755-02,	59 , 60	319-2134,	63	331-0538,	66
185-7441,	34 , 35	232-3915,	59	319-2339-02,	70	332-0941,	51 , 65
191-2229,	13 , 14	232-4145,	60	319-2340-04,	71	332-0942,	14
191-2239,	14 , 74	232-4204,	16	319-3132-01,	72	332-1024,	51
191-2240,	14	232-4226,	16	319-4506,	73	332-2304,	65 , 67
191-2241,	14	234-0952-02,	63	320-1140,	65	332-2982,	65
191-2245,	14	300-2604,	65	320-1141,	65	333-0719,	20
191-2246,	14	300-3248-04,	69	320-1658,	65	333-0805,	31
191-2247,	14	300-4274,	63	320-1689-05,	63	337-0081,	57
191-2250,	14	300-4274-01,	63	320-1689-07,	63 , 66	338-2093,	63
191-2251,	14	300-4274-02,	63	320-1689-08,	63	338-2102,	67
191-2252,	14	300-4319-01,	63	320-1782,	65	338-2222-02,	69
191-2253,	14	300-4319-03,	63	320-1813-02,	63	338-2237,	67
191-2254,	14	300-4939,	70	320-1836-03,	63	338-2238,	67
191-2255,	14	300-4940,	71	320-1836-05,	63	338-2828,	65
193-0244,	9	300-4941,	72	320-1840,	66	338-2910,	65
193-0318,	36	300-4947,	68	320-1926-02,	63	338-2912-01,	67
193-0351,	69 , 73	300-5026,	73	323-1194,	67	338-2912-02,	67
193-0352,	69 , 73	302-0885,	69	323-1195,	65 , 67	338-2912-03,	67
201-3506-02,	59	302-1641,	69 , 72 , 73	323-1199,	67 , 69 , 70 , 71 , 72 , 73	338-2912-04,	67
201-3506-03,	59	302-2002,	71 , 73	323-1200,	67 , 68	338-2912-05,	67
204-0134,	59	305-0875-04,	63	323-1206,	65	338-2914-01,	67
205-0220,	59 , 60	305-0879-02,	63	323-1207,	65 , 67	338-2914-02,	67
211-0447,	59 , 60	305-0931-02,	63	323-1228,	67	338-2914-03,	67
211-0448-03,	59	306-4081,	48	323-1229,	63 , 67	338-2914-04,	67
211-0462,	60	307-1617,	65	323-1291,	67 , 69 , 70 , 71 , 72 , 73	338-2914-05,	67
212-1276-03,	59 , 60	307-1886,	65	323-1325,	65 , 67 , 68	338-3467,	71
212-1285-S0,	59 , 60	307-2546,	48	323-1383,	63 , 67	338-3508,	72
212-1286,	60	307-2975,	65	323-1384,	65	338-3511-S0,	70
212-1286-S0,	59	307-2979,	65	323-1385,	63 , 67	338-3573,	68
214-0103,	59	308-0739,	65	323-1582,	63	338-3636,	73
220-4395-03,	59	308-0827,	69	323-1583,	63	357-0088,	65
220-4395-04,	59	308-1062,	70 , 71 , 72 , 73	323-1591,	63	357-0100,	63 , 65
220-4434-03,	59	309-0159,	9	323-1613,	67	370-4083,	63
220-4434-04,	59	309-0552,	36	323-1620,	67	402-0070,	51 , 65
220-4434-07,	59	309-0641-05,	9	323-1707,	68	402-0653,	57
231-0347,	59 , 60	319-0141,	69	323-1708,	68	403-3522-02,	57
231-0353-S0,	13	319-1054,	66			403-3584-02,	57

# Numerical Index

<u>Part No.</u>	<u>Page</u>	<u>Part No.</u>	<u>Page</u>	<u>Part No.</u>	<u>Page</u>	<u>Part No.</u>	<u>Page</u>
502-0003,	47	526-0399-56,	59 , 60	821-0028,	51		
502-0028,	47	526-0409,	72	821-0029,	57		
502-0033,	47	526-2080,	59	821-2045,	51		
502-0313,	47	526-2100,	49 , 51 , 59 , 60	850-0020,	63 , 66		
502-0917,	9	718-1018,	45	850-0030,	66 , 72		
503-0189,	51	718-1020,	53	850-0114-07,	59		
503-0227,	53	718-1035,	49	850-2005,	59		
503-0276,	51	718-1036,	49	850-2006,	45 , 47 , 48 , 53 , 63		
503-0365,	49	725-1052,	56	850-2008,	13 , 47 , 56		
503-0976,	53 , 54	740-1008,	13 , 57	850-2010,	47 , 51 , 57		
503-1450,	49	750-1006,	14	854-0010,	63		
503-1861,	51	800-0057,	57	854-0014,	66		
503-1884,	51	800-0309-89,	60	856-0003,	63		
503-2000,	51	800-2006,	59	856-0006,	47 , 63 , 65		
503-3045-01,	54	800-2008,	59	856-0008,	51		
504-0176,	53 , 54	800-2029,	47 , 48	856-0010,	9 , 57		
505-0098,	9	800-2033,	63	860-2075,	20		
505-0763,	9	800-2056,	47 , 59 , 60	862-0003,	57 , 59 , 60		
506-0034,	21	800-2515,	13 , 59 , 60	870-0131,	48		
508-0198,	63	800-3004,	47	870-0183,	65 , 69		
508-0278,	63	802-2544,	20	870-1220,	65		
508-1049-02,	59 , 60	808-0023,	69 , 73	870-2055,	49		
508-1115,	63	808-0054,	52	871-0010,	72		
508-1253,	10	810-0155,	63 , 65	871-0015,	66		
509-0196,	59 , 74	812-0029,	65	871-0016,	63 , 65		
509-0420,	60	812-0061,	63 , 66	A044B679,	9		
509-0547,	16	813-0100,	48 , 66	A048A641,	26		
510-0163,	17	813-0113,	63	A048A824,	35		
510-0207,	59	815-0385,	69	A048A833,	16		
516-0247,	13	815-0388,	65	A048A835,	11		
517-0441,	54	815-0585,	57	A048A838,	24		
520-1000-02,	59 , 60	815-0586,	9	A048A841,	46		
520-1000-03,	59 , 60	815-0600,	13	A048A843,	43		
526-0018,	45 , 63	815-0810,	59	A053S053,	60		
526-0021,	52	815-0905-05,	63	A053W559,	60		
526-0029,	51 , 60	815-0910,	70 , 71 , 72				
526-0030,	57	821-0004,	60 , 63 , 65				
526-0049,	72	821-0008,	65				
526-0052,	63 , 65 , 66	821-0010,	51				
526-0174,	19	821-0014,	51 , 57 , 65				
526-0324,	57	821-0016,	51				



[power.cummins.com](http://power.cummins.com)

Copyright © 2019 Cummins Inc. All rights reserved.

Cummins, Onan, and the "C" logo are registered trademarks of Cummins Inc. and its subsidiaries.

Other company, product, or service names may be trademarks or service marks of others.

Specifications are subject to change without notice.

